



# Installation guidelines Unizip herringbone

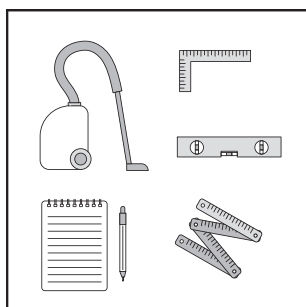
ONE PANEL HERRINGBONE



**UNIZIP**  <sup>®</sup>  
PATENTED TECHNOLOGY

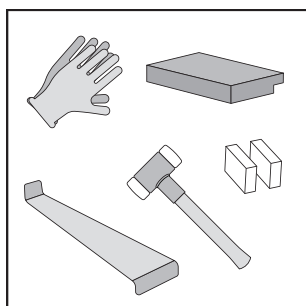
# Preparation Tools

WATCH THE  
INSTALLATION  
VIDEO



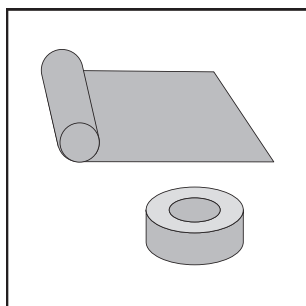
## ROOM PREPARATION

- Pencil and notepad
- Tape measure / Folding rule
- Steel square / Bevel tool
- Level
- Vacuum



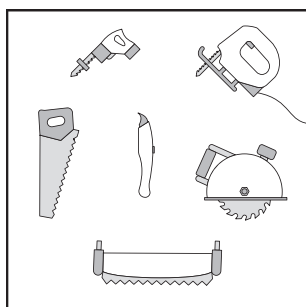
## DURING INSTALLATION

- Hard mallet
- Tapping block for locking systems
- Pull bar
- Spacers
- Gloves



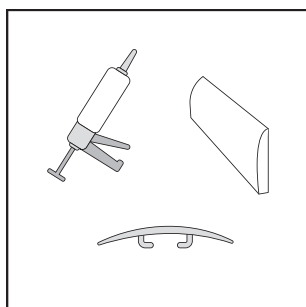
## If the panels do not have a pad pre-attached:

- Underlay
- Tape (to fix your underlay)



## CUTTING THE PANELS

- Handsaw / jigsaw / crosscut saw / plunger saw / table saw
- Concave cutter knife

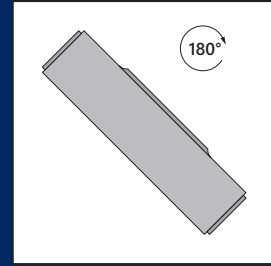


## FINISHING THE ROOM

- Skirting
- Silicon kit
- Expansion / adapter / end profiles

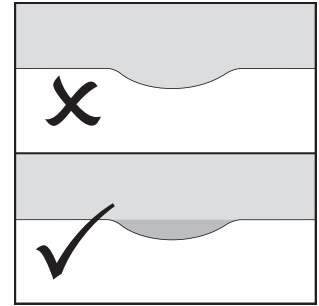
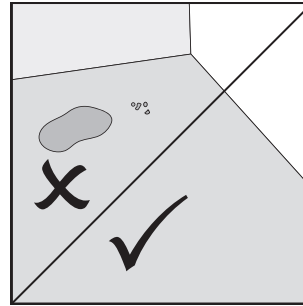
# Preparation The room

Unizip only has one type of panel, since the tongue and groove are compatible.



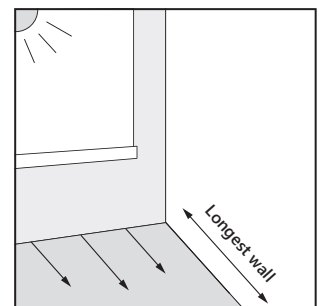
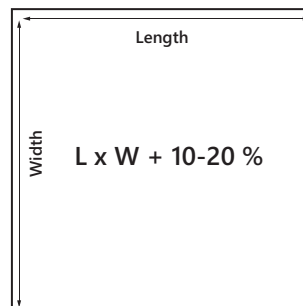
## CLEAN SLATE

- Remove skirtings
- Remove all soft flooring (e.g. carpet)
- Make sure the sub-floor is dry and free of any grease, chemical residue or glue
- Ensure a level and dry surface, smooth out bumps or irregularities
- Vacuum thoroughly to remove all debris and dust



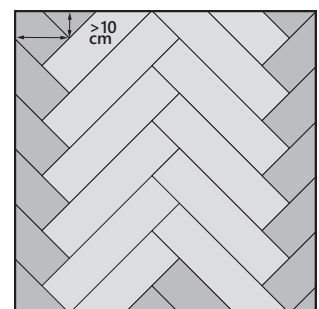
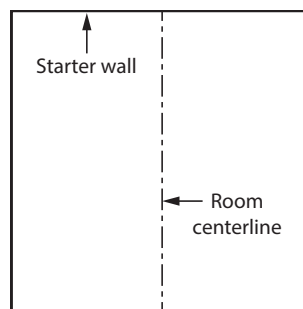
## CALCULATE SURFACE AREA

- Width x Length + 10-20% cutting waste
- Make accurate measurements to ensure a smooth installation
- Take notes to avoid mistakes
- Plan the flooring along the longest wall or in the direction of the light for the most pleasing visual appeal.



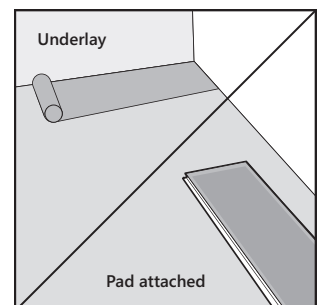
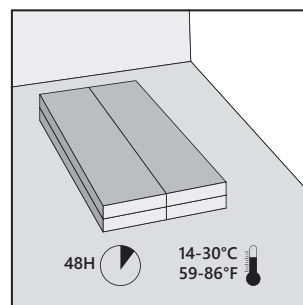
## ALIGNING THE ROWS

- Indicate the middle of the starter wall to align the V-rows. Mark this line on the bottom of the wall so it will remain visible
- Plan out the different V-rows to ensure that each end piece is at least 10 cm wide
- If there are pieces that are too small, shift the middle line to the left or the right



## PREPARING THE PANELS

- Acclimatize the panels in the middle of the room for 48 hours in the box
- Make sure to follow the instructions on the box before beginning the installation
- Shuffle panels from different boxes to ensure an even distribution of color and pattern
- Inspect the panels for damages
- Use an underlay if there is no pad attached

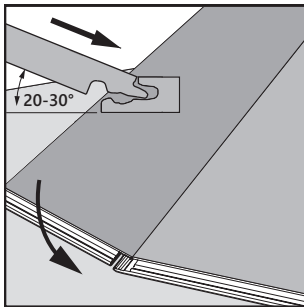


# Installation Locking

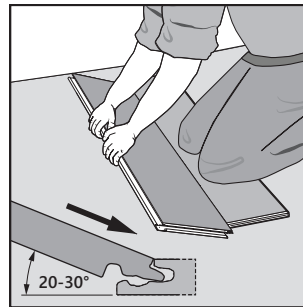
WATCH THE  
INSTALLATION  
VIDEO



## INSTALLING METHOD A: ANGLE

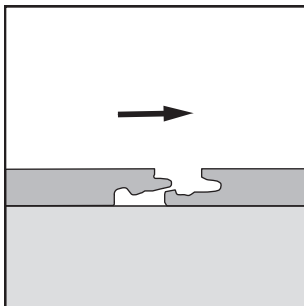


Start by locking in the long side. Position the panel at an angle of 20-30° to the panel that is already installed.

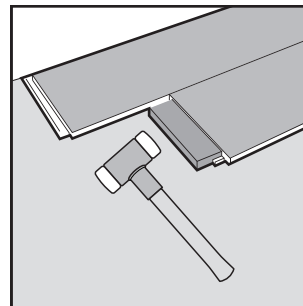


Place your hands close to the joint. Pull the panel towards the installed panels and angle down.

## INSTALLING METHOD B: TAP

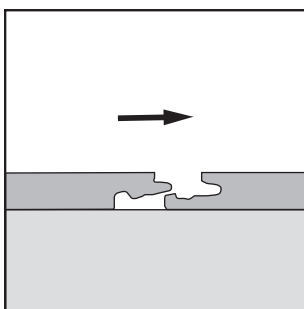


For locking in two sides or if angling is not possible, use the tapping method. If possible, angle in one side of the panel. Tapping is possible on the long and short side.

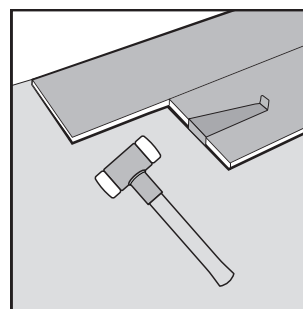


Use a tapping block and position it against the locking system. Gently tap the block with a hammer to gradually connect the panels in a few taps.

## FOR HARD TO REACH AREAS

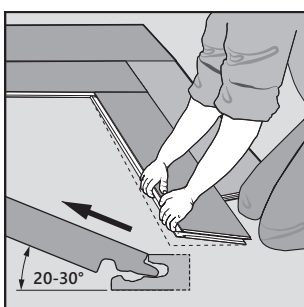


For areas where it is not possible to use angling or a tapping block, such as the end panels against the wall, use the pull bar. Start when the panels are flat on the floor.

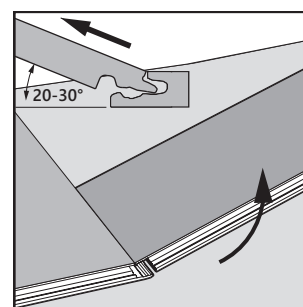


Place the pull bar against the panel. Gently tap the pull bar with a hammer to gradually connect the panels in a few taps.

## DE-INSTALLING THE PANELS



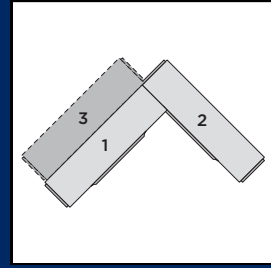
Start by angling out the panel by lifting the corner of the panel to about 20-30° and move the panel forwards and backwards until it releases.



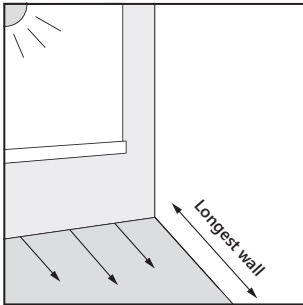
Angle up the end of the panel to angle out the short side.

# Installation Pattern

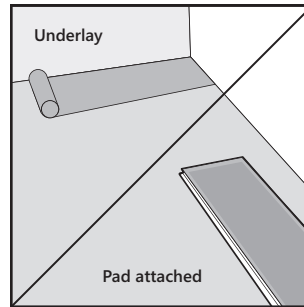
Use the next panel as an alignment panel by installing it 0.5 cm (2") beyond the edge.



## DIRECTION OF THE ROWS

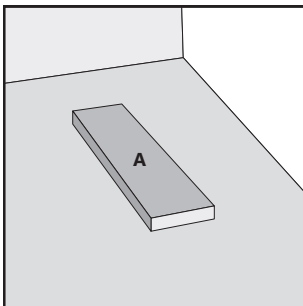


Plan the floor along the longest wall or light direction for the most pleasing visual appeal.

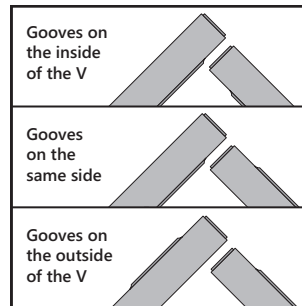


If there is no pad attached to the panels, roll out the underlay in the same direction of the floor.

## DISTRIBUTE THE PANELS



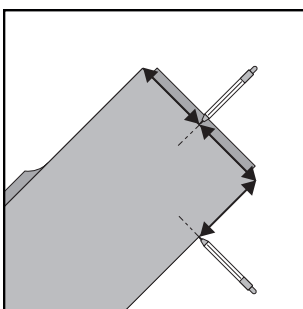
Unizip only has one type of panel, so left-side and right-side panels are the same.



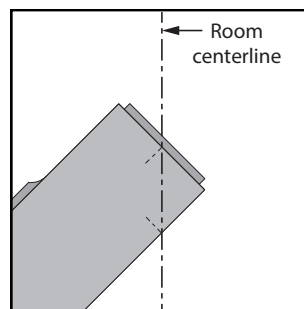
The starting position of the panels is versatile, as long as it's consistent within the rows.

The installation below is with grooves on the inside of the first V.

## ALIGNMENT IN THE ROOM

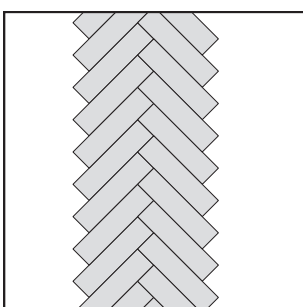


Mark the middle of the short side of the panel. Take this distance and mark it on the long side of the panel.



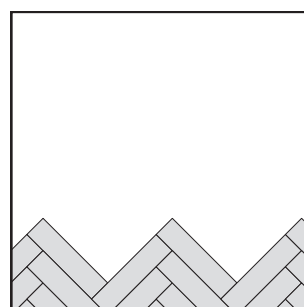
Align the markings on the panel to the center line of the room to ensure the correct angle of the panel and a straight installation.

## INSTALLATION ORDER



**Option 1**  
Finish the first V row and then continue to the sides.

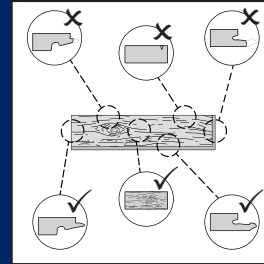
This is the installation method explained below.



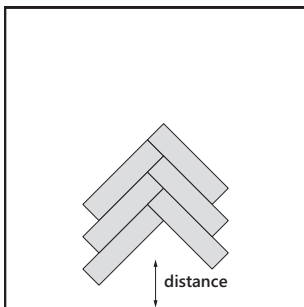
**Option 2**  
Complete the first few rows of the complete width of the room.

# Installation First rows

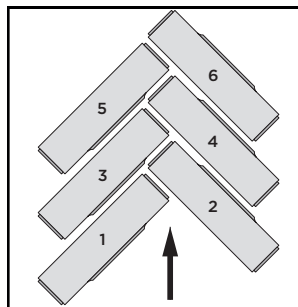
Check all panels before and during installation for damage or visible defects.



## DISTANCE AND DIRECTION

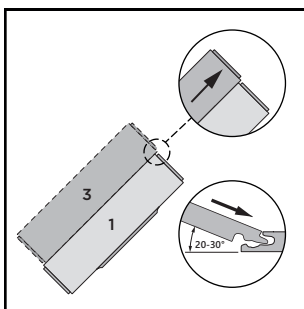


Start the installation at a distance away from the starter wall for easier installation.

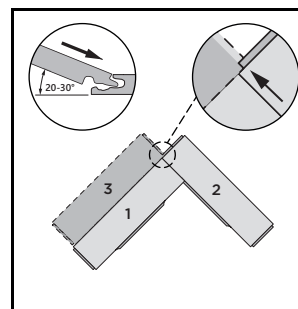


Work in the direction away from the starter wall, with the V pointing away from the wall.

## ANGLE IN THE SECOND PANEL

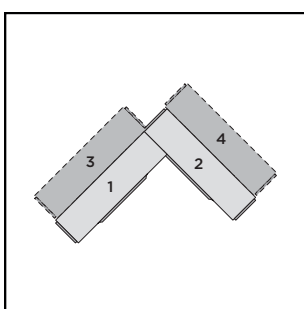


Use an alignment panel (3) to help align panel 2 by installing it 0,5 cm beyond the edge of panel 1.

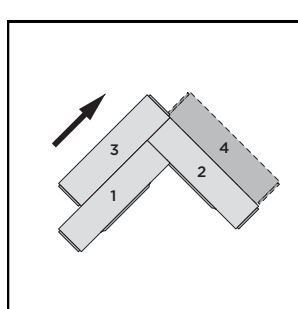


Angle the long side of panel 2 into the short side of panel 1 at 20-30°, slide it towards panel 3 until it reaches the corner of panel 3 and angle down.

## MOVE TO THE B SIDE

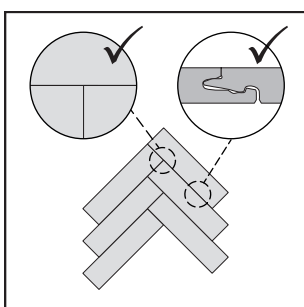


Use another alignment panel (4) to help align panel 3 by installing it 0,5 cm beyond the edge of panel 2.

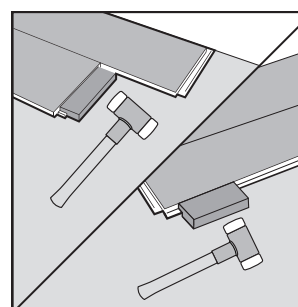


Angle up the long side of panel 3 into the long side of panel 2 at 20-30°, slide it towards panel 4 until it reaches the corner of panel 4 and angle down.

## MIND THE GAP



After installing a panel, check all joints to see if they are fully connected and there are no gaps or height differences.



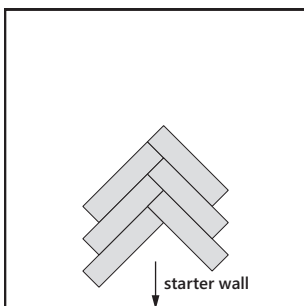
To ensure all gaps are closed, gently tap the tapping block with a hammer to completely close the joints.

# Installation Continue

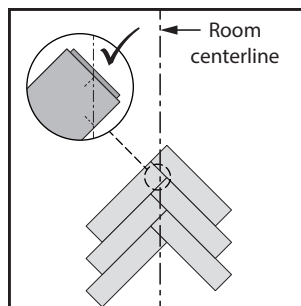
WATCH THE  
INSTALLATION  
VIDEO



## MOVE TO THE STARTER WALL

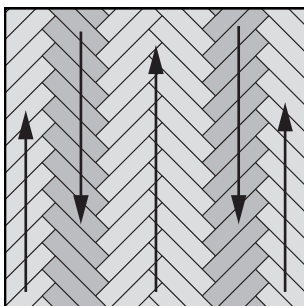


After a few panels, slide the row towards the starter wall, aligned with the center line of the room. Leave enough room for the expansion gaps.

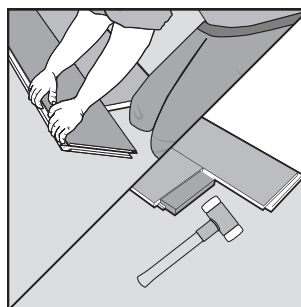


Align the rows to the middle line of the room, using the markings on the panel as a guide.

## CONTINUE THE INSTALLATION

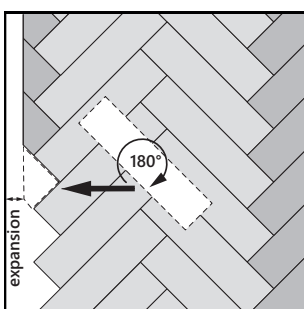


Complete the first V row with complete panels. Make sure to keep it aligned to the center line. Then continue on the sides, working in the opposite direction.

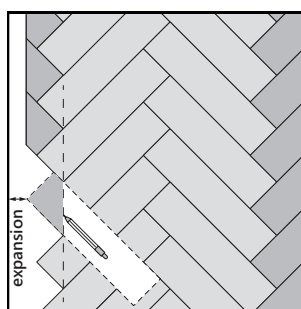


To install the next row, always connect the long side of the new panel into the installed panels. Use a tapping block to close the short side of the panel.

## FINISH THE SIDES

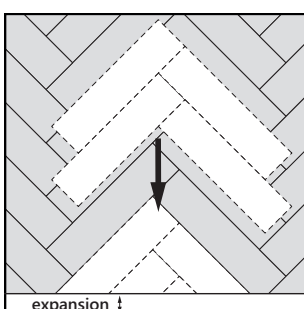


Position the panel in the correct position to be installed. Rotate the panel 180° and position it where it needs to be installed, while leaving space for the expansion gap.

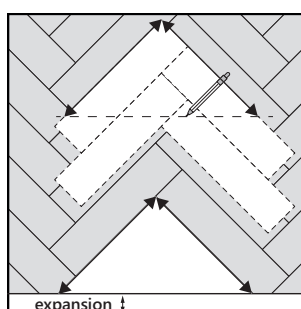


Draw a line by connecting the edges of the installed panels and cut along this line. Rotate the panel back 180° and install it by angling and using the pull bar.

## EDGE PIECES



Pre-build the edge pieces with enough panels to cover the gaps. Measure the edges of the remaining floor, taking the expansion gap into account.



Mark the dimensions on the pre-build panels and cut to size. Install the remaining pieces one by one. Use a pull bar if necessary.

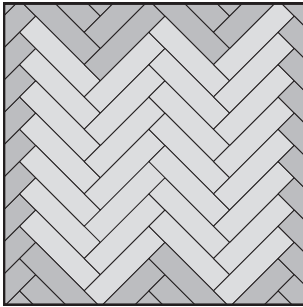


# Installation Correct size

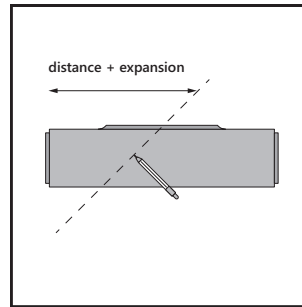
WATCH THE  
INSTALLATION  
VIDEO



## EDGE PANELS

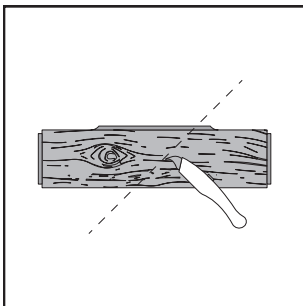


- Measure the edge piece as explained on the previous page
- Keep the expansion gaps into account



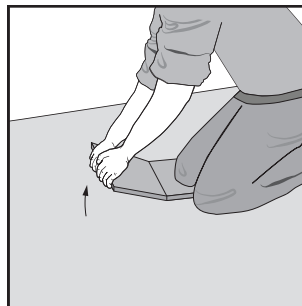
- Pencil the cutting line on your panel
- Use a ruler or another floor panel to ensure a straight line

## VINYL

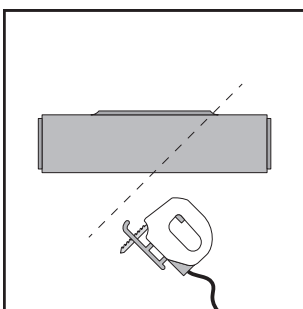


### For straight cuts

- Cut the panel with a sharp concave cutter knife
- Always cut with the design facing upwards

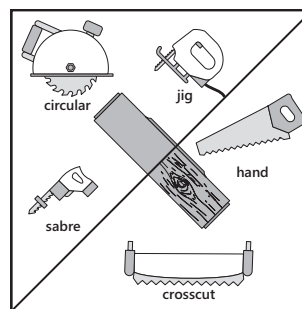


- Lay the panel with the design facing downwards
- Snap the plank in two
- Use your knees to hold the panel



### For other shapes

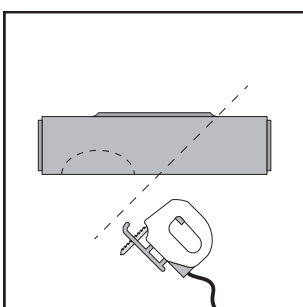
Use a saw to cut the panel to size



**Design facing down:** jigsaw, saber saw or circular handsaw

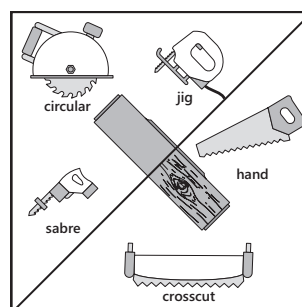
**Design facing up:** handsaw or crosscut saw

## LAMINATE



### For all cuts

Use a saw to cut the panel to size



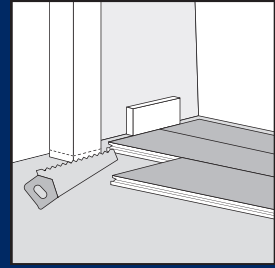
**Design facing down:** jigsaw, saber saw or circular handsaw

**Design facing up:** handsaw or crosscut saw

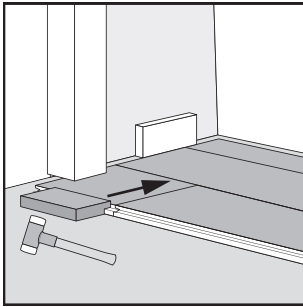


# Installation Finishing

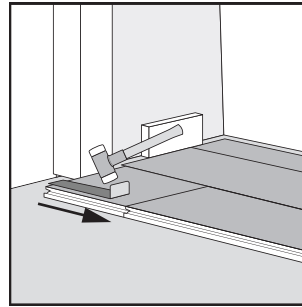
Undercut the door-frames or moldings to enable the expansion of the panels.



## UNDER DOOR-FRAMES

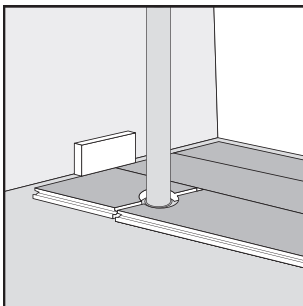


Install the panel on the long side with a tapping block or pull bar. Gently tap with a hammer to gradually connect the panels in a few taps.

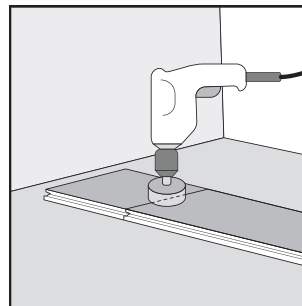


Slide the panel towards the already installed panels and gradually lock the short side of the panel with a tapping block or pull bar and hammer in a few taps.

## PIPES

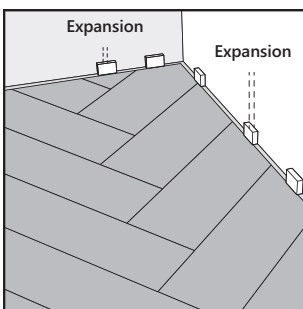


In rows where the flooring meets a pipe, ensure the pipe aligns exactly with the short sides of two panels.

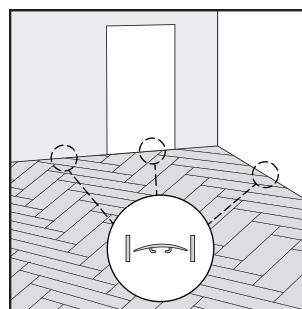


Click the panels together on the short side. Drill a hole centered on the joint between the two panels of the same diameter as the pipe plus 20 mm (3/4").

## ROOM FOR EXPANSION

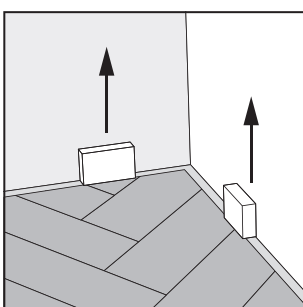


The floor must be able to expand and contract with changes in the indoor climate. For expansion joint guidelines, check the supplier's instructions.

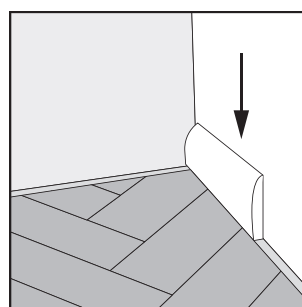


Provide expansion joints between different rooms or in large rooms. Check the supplier's guidelines for details.

## FINISHING



After the floor and expansion profiles are completely installed, remove all spacers from the room(s).



Install skirting on the walls over the expansion gaps to complete the room.

Are you interested in this technology or do you have any questions? Do you want more information or are you interested in other technologies?

Contact us at  
[info.technologies@unilin.com](mailto:info.technologies@unilin.com)

Find more information on  
[unilintechnologies.com](http://unilintechnologies.com)



**Unilin Technologies**  
Ooigemstraat 3  
8710 Wielsbeke  
Belgium

T +32 56 67 56 67  
E [info.technologies@unilin.com](mailto:info.technologies@unilin.com)

 **UNILIN**

[unilintechnologies.com](http://unilintechnologies.com)