



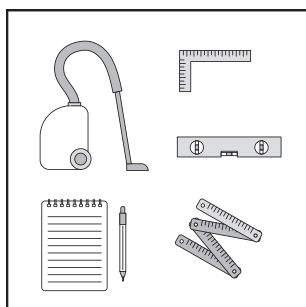
Installation guidelines fold-down

HERRINGBONE INSTALLATION

UNIDROP 
PATENTED TECHNOLOGY ®

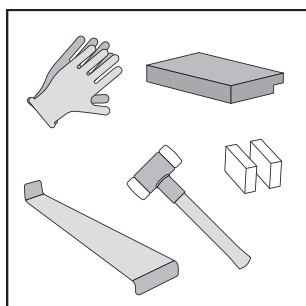
Preparation Tools

WATCH THE
INSTALLATION
VIDEO



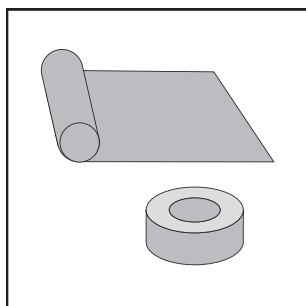
ROOM PREPARATION

- Pencil and notepad
- Tape measure / Folding rule
- Steel square / Bevel tool
- Level
- Vacuum



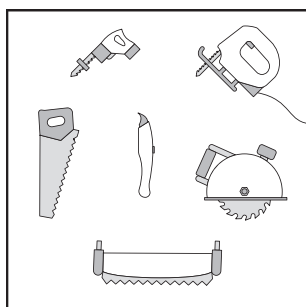
DURING INSTALLATION

- Hard mallet
- Tapping block for locking systems
- Pull bar
- Spacers
- Gloves



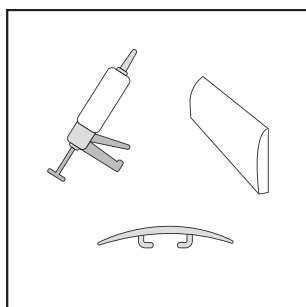
If the panels do not have a pad pre-attached:

- Underlay
- Tape (to fix your underlay)



CUTTING THE PANELS

- Handsaw / jigsaw / crosscut saw / plunger saw / table saw
- Concave cutter knife

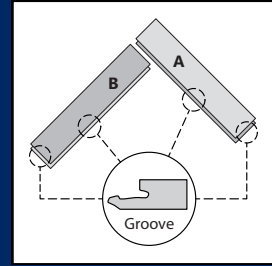


FINISHING THE ROOM

- Skirting
- Silicon kit
- Expansion / adapter / end profiles

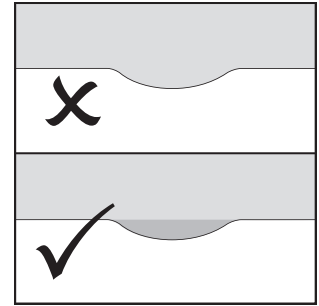
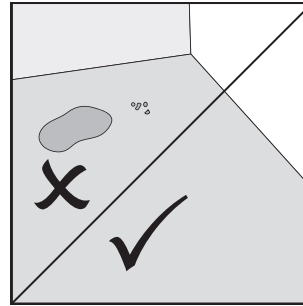
Preparation The room

Make sure there is an equal amount of left side and right sided panels.



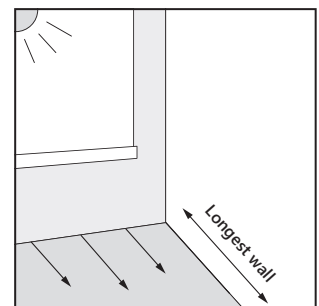
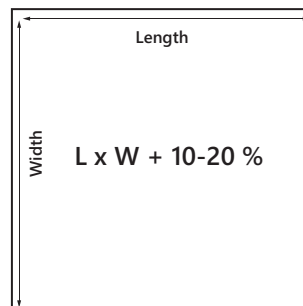
CLEAN SLATE

- Remove skirtings
- Remove all soft flooring (e.g. carpet)
- Make sure the sub-floor is dry and free of any grease, chemical residue or glue
- Ensure a level and dry surface, smooth out bumps or irregularities
- Vacuum thoroughly to remove all debris and dust



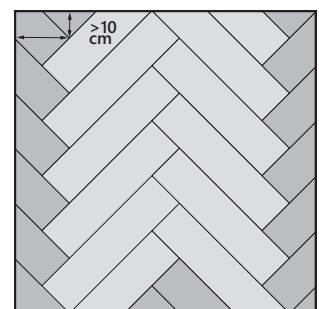
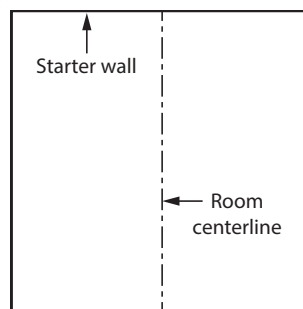
CALCULATE SURFACE AREA

- Width x Length + 10-20% cutting waste
- Make accurate measurements to ensure a smooth installation
- Take notes to avoid mistakes
- Plan the flooring along the longest wall or in the direction of the light for the most pleasing visual appeal.



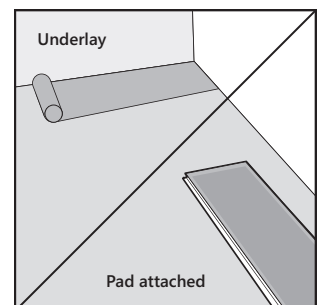
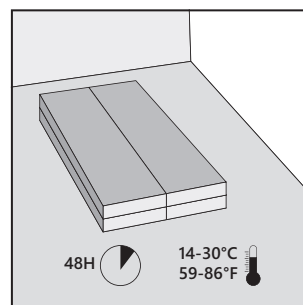
ALIGNING THE ROWS

- Indicate the middle of the starter wall to align the V-rows. Mark this line on the bottom of the wall so it will remain visible
- Plan out the different V-rows to ensure that each end piece is at least 10 cm wide
- If there are pieces that are too small, shift the middle line to the left or the right



PREPARING THE PANELS

- Acclimatize the panels in the middle of the room for 48 hours in the box
- Make sure to follow the instructions on the box before beginning the installation
- Shuffle panels from different boxes to ensure an even distribution of color and pattern
- Inspect the panels for damages
- Use an underlay if there is no pad attached

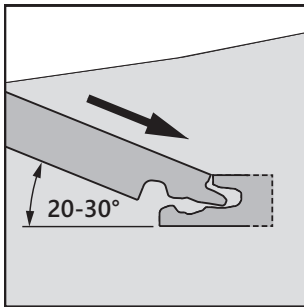


Installation Locking

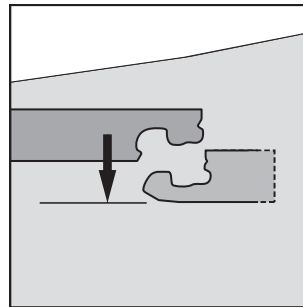
WATCH THE
INSTALLATION
VIDEO



INSTALLATION METHOD

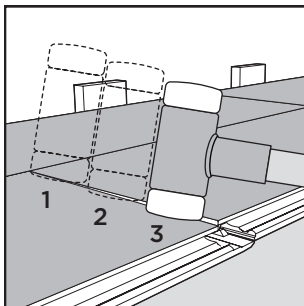


Start on the long side. Position the panel at an angle of 20-30° to the panel that is already installed. Move the panel gently up and down and exert forward pressure.

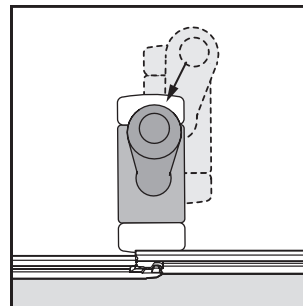


After angling in the long side, drop down the short side of the panel into the short side of the panel that is already installed.

COMPLETELY ENGAGE

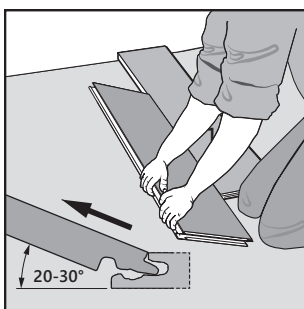


Fully connect the short sides of the panels by hammering from the T joint towards the edge of the panel. Use a tapping block as additional support if necessary.

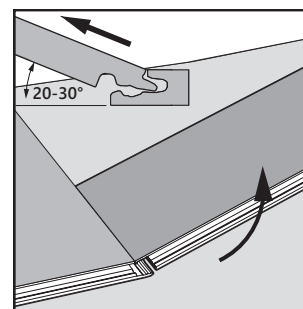


Hammer in the direction of and partly on the underlying panel. Be careful not to damage the profile or the edges of the panel.

DE-INSTALLING THE PANELS

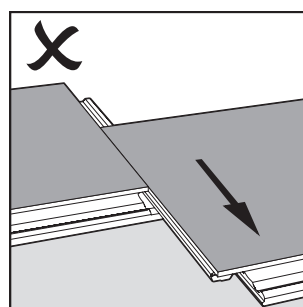
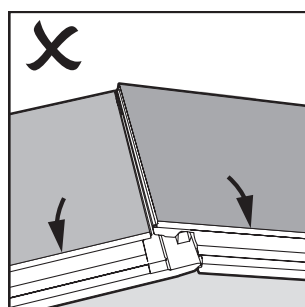
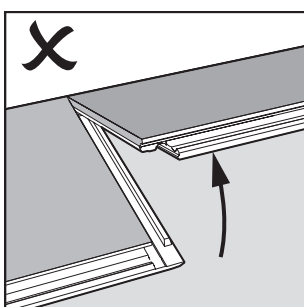


Start by angling out the complete row on the long side of the panel by lifting up to about 20-30°.



Angle up the end of the panel to angle out the short side.

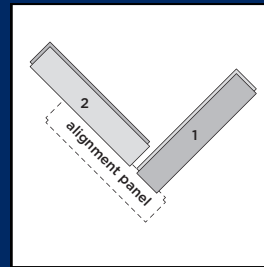
DE-INSTALLING MISTAKES



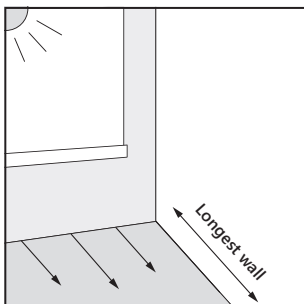
Do not lift up the side of the panel, angle down the edges of the panel, or shift the panels horizontally to disconnect the short sides. Doing so might damage the profile.

Installation Pattern

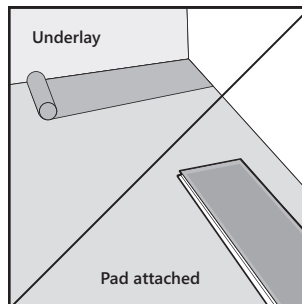
Use an extra panel as an alignment panel for the first two panels.



DIRECTION OF THE ROWS

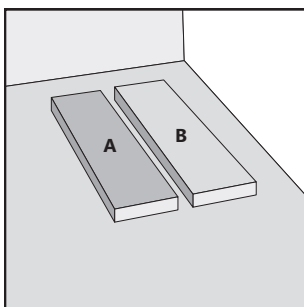


Plan the floor along the longest wall or light direction for the most pleasing visual appeal.

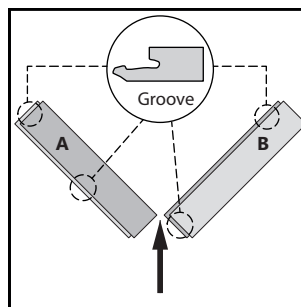


If there is no pad attached to the panels, roll out the underlay in the same direction of the floor.

DISTRIBUTE THE PANELS

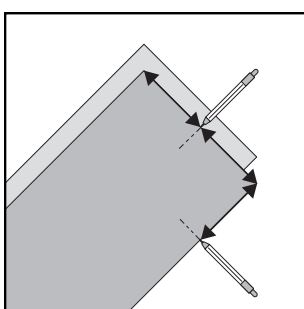


Make sure you have an equal amount of left and right panels.

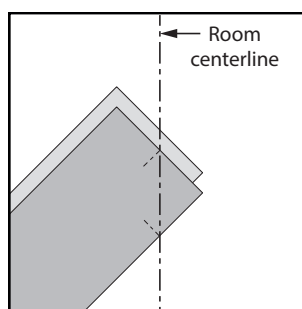


Lay down the panels in the correct start position with the groove side pointing away from the starter wall and to the left side of the V.

ALIGNMENT IN THE ROOM

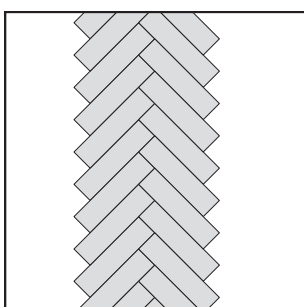


Mark the middle of the short side of the panel. Take this distance and mark it on the long side of the panel.



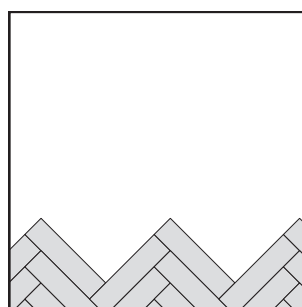
Align the markings on the panel to the center line of the room to ensure the correct angle of the panel and a straight installation.

INSTALLATION ORDER



Option 1
Finish the first V row and then continue to the sides.

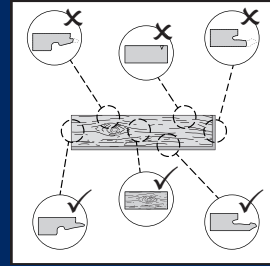
This is the installation method explained below.



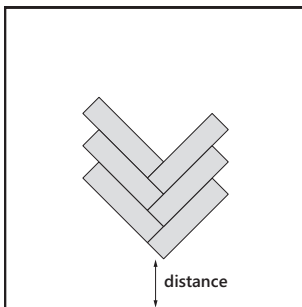
Option 2
Complete the first few rows of the complete width of the room.

Installation First rows

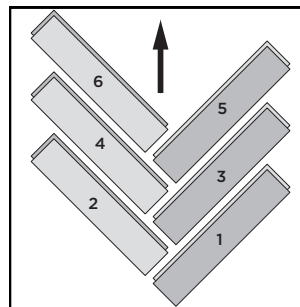
Check all panels before and during installation for damage or visible defects.



DISTANCE AND DIRECTION

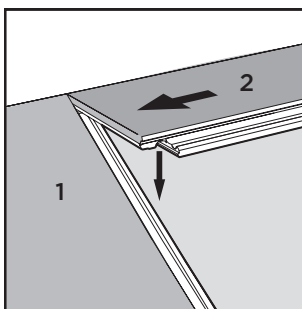


Start the installation a distance away from the starter wall for easier installation.

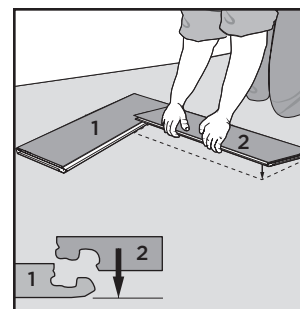


Work in the direction away from the starter wall, with the V pointing towards the wall.

ANGLE IN THE SECOND PANEL

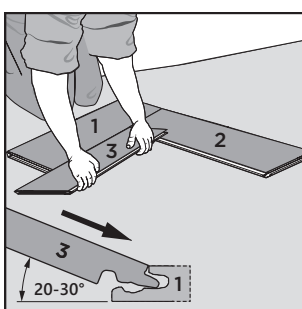


Connect the short side of panel 2 with the long side of panel 1 with a drop down movement.

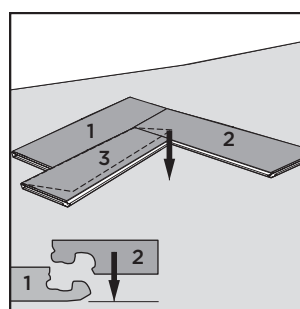


Drop down the panel and fully connect the joints by hammering from the T joint towards the edge of the panel.

MOVE TO THE B SIDE

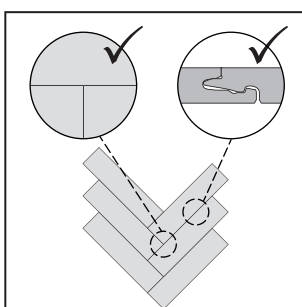


Angle in the long side of panel 3 into the long side of panel 1 at 20-30°, while sliding it close to panel 2.

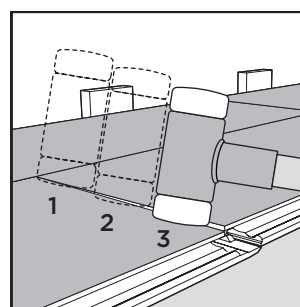


Position the tongue of panel 3 above the groove of panel 2. Press panel 3 down to connect the joints of the short side. Fully connect by hammering down.

MIND THE GAP



After installing a panel, check all joints to see if they are fully connected and there are no gaps or height differences.



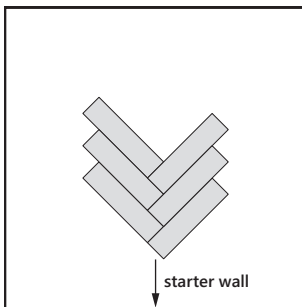
Make sure all joints are fully connected by hammering down on the short sides.

Installation Continue

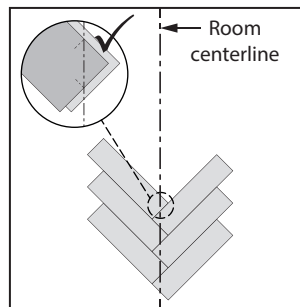
WATCH THE
INSTALLATION
VIDEO



MOVE TO THE STARTER WALL

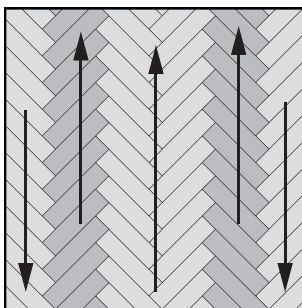


After a few panels, slide the row towards the starter wall, aligned with the center line of the room. Leave enough room for the expansion gaps.

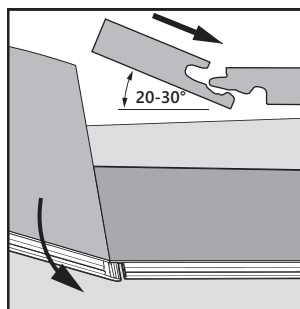


Align the rows to the middle line of the room, using the markings on the panel as a guide.

CONTINUE THE INSTALLATION

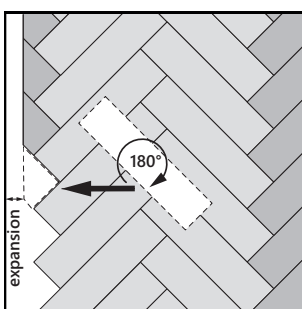


Complete the first V row with complete panels. Make sure to keep it aligned to the center line. Continue on the sides, working in the directions as on the drawing.



To install the next rows on the tongue sides, angle in the groove under the tongue on the short side, then on the long side.

FINISH THE SIDES

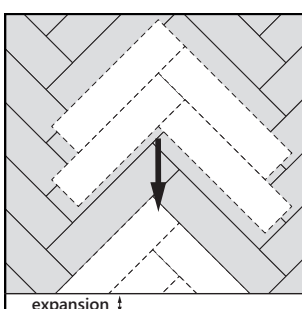


Position the panel in the correct position to be installed. Rotate the panel 180° and position it where it needs to be installed, while leaving space for the expansion gap.

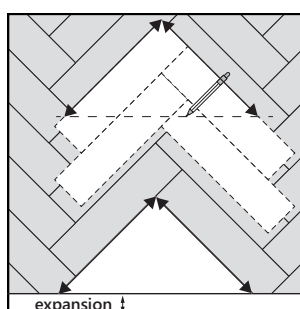


Draw a line by connecting the edges of the installed panels and cut along this line. Rotate the panel back 180° and install it by angling and using the pull bar.

EDGE PIECES



Pre-build the edge pieces with enough panels to cover the gaps. Measure the edges of the remaining floor, taking the expansion gap into account.



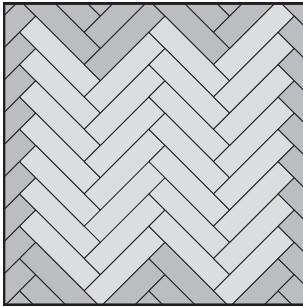
Mark the dimensions on the pre-build panels and cut to size. Install the remaining pieces one by one. Use a pull bar if necessary.

Installation Correct size

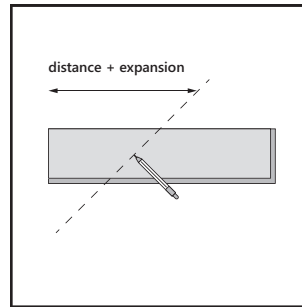
WATCH THE
INSTALLATION
VIDEO



EDGE PANELS

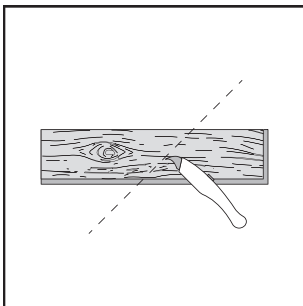


- Measure the edge piece as explained on the previous page
- Keep the expansion gaps into account



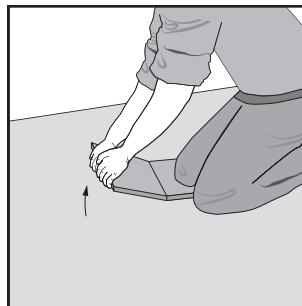
- Pencil the cutting line on your panel
- Use a ruler or another floor panel to ensure a straight line

VINYL

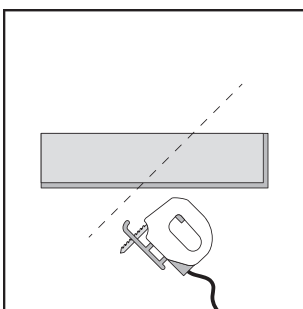


For straight cuts

- Cut the panel with a sharp concave cutter knife
- Always cut with the design facing upwards

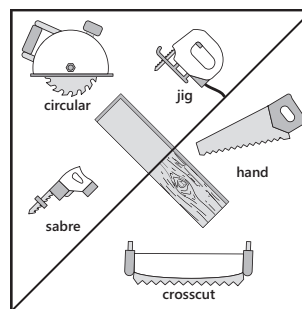


- Lay the panel with the design facing downwards
- Snap the plank in two
- Use your knees to hold the panel



For other shapes

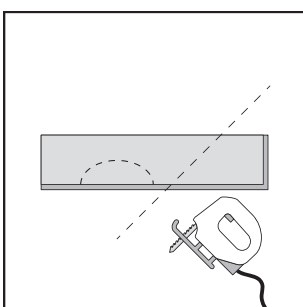
Use a saw to cut the panel to size



Design facing down: jigsaw, saber saw or circular handsaw

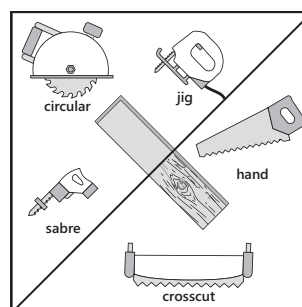
Design facing up: handsaw or crosscut saw

LAMINATE



For all cuts

Use a saw to cut the panel to size

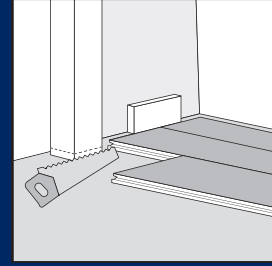


Design facing down: jigsaw, saber saw or circular handsaw

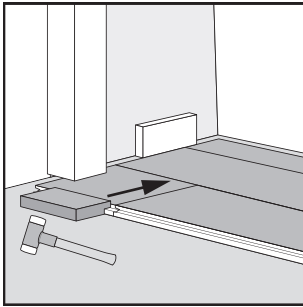
Design facing up: handsaw or crosscut saw

Installation Finishing

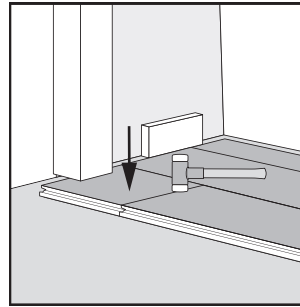
Undercut the door-frames or moldings to enable the expansion of the panels.



UNDER DOOR-FRAMES

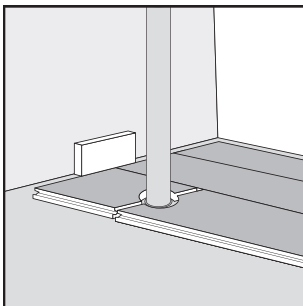


Slide the panel as close to the installed panels as possible. Use a tapping block and a hammer to gradually connect the long sides of the panel in a few taps.

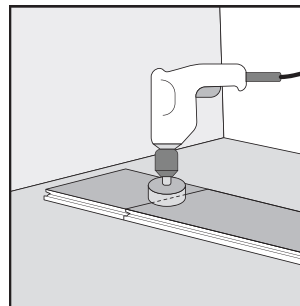


Use a hammer to fully connect the short sides of the panels. Hammer from the T-joint towards the outside of the panel.

PIPES

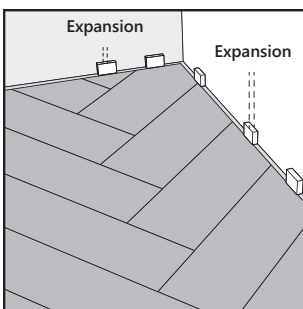


In rows where the flooring meets a pipe, ensure the pipe aligns exactly with the short sides of two panels.

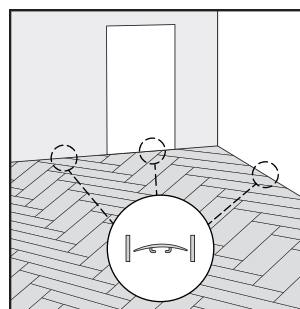


Click the panels together on the short side. Drill a hole centered on the joint between the two panels of the same diameter as the pipe plus 20 mm (3/4").

ROOM FOR EXPANSION

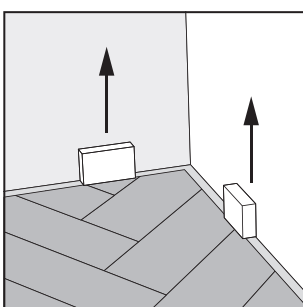


The floor must be able to expand and contract with changes in the indoor climate. For expansion joint guidelines, check the supplier's instructions.

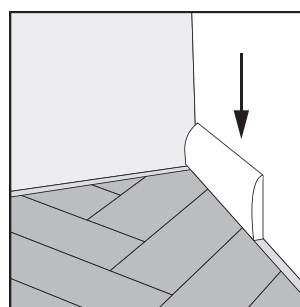


Provide expansion joints between different rooms or in large rooms. Check the supplier's guidelines for details.


FINISHING



After the floor and expansion profiles are completely installed, remove all spacers from the room(s).



Install skirting on the walls over the expansion gaps to complete the room.



Are you interested in this technology or do you have any questions? Do you want more information or are you interested in other technologies?

Contact us at
info.technologies@unilin.com

Find more information on
unilintechnologies.com

Unilin Technologies
Ooigemstraat 3
8710 Wielsbeke
Belgium

T +32 56 67 56 67
E info.technologies@unilin.com

 **UNILIN**

unilintechnologies.com