

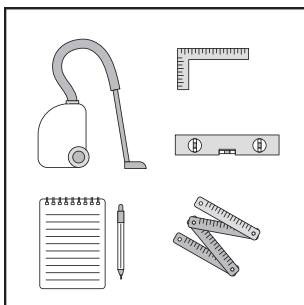


Installation guidelines fold-down

ROWS INSTALLATION

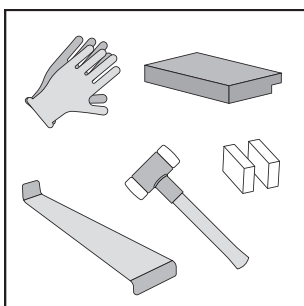


Preparation Tools



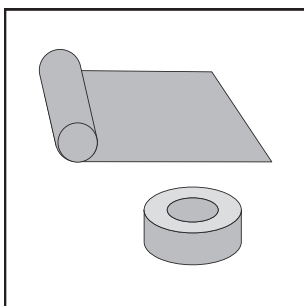
ROOM PREPARATION

- Pencil and notepad
- Tape measure / Folding rule
- Steel square / Bevel tool
- Level
- Vacuum



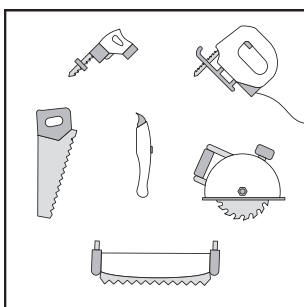
DURING INSTALLATION

- Hard mallet
- Tapping block for locking systems
- Pull bar
- Spacers
- Gloves



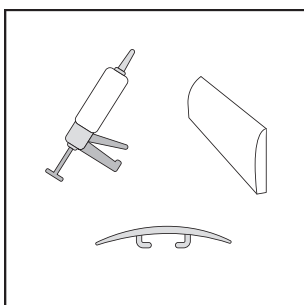
If the panels do not have a pad pre-attached:

- Underlay
- Tape (to fix your underlay)



CUTTING THE PANELS

- Handsaw / jigsaw / crosscut saw / plunger saw / table saw
- Concave cutter knife



FINISHING THE ROOM

- Skirting
- Silicon kit
- Expansion / adapter / end profiles

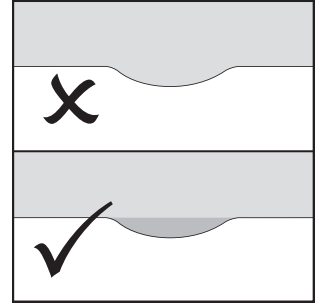
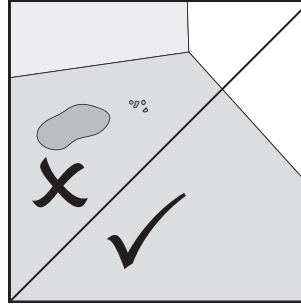
Preparation The room

WATCH THE
INSTALLATION
VIDEO



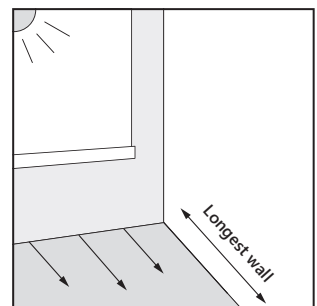
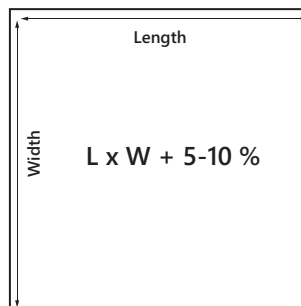
CLEAN SLATE

- Remove skirtings
- Remove all soft flooring (e.g. carpet)
- Make sure the sub-floor is dry and free of any grease, chemical residue or glue
- Ensure a level and dry surface, smooth out bumps or irregularities
- Vacuum thoroughly to remove all debris and dust



CALCULATE SURFACE AREA

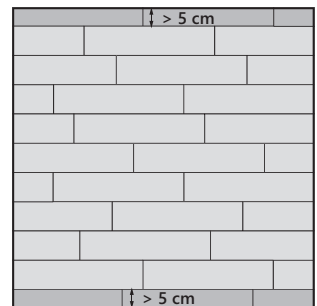
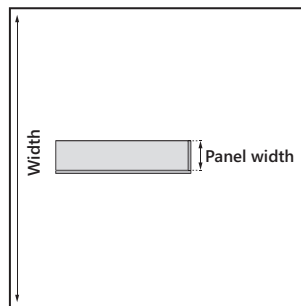
- Width x Length + 5-10% cutting waste
- Make accurate measurements to ensure a smooth installation
- Take notes to avoid mistakes
- Plan the flooring along the longest wall or in the direction of the light for the most pleasing visual appeal.



CALCULATE THE AMOUNT OF ROWS

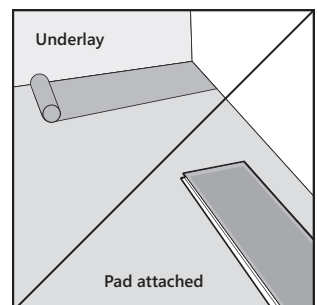
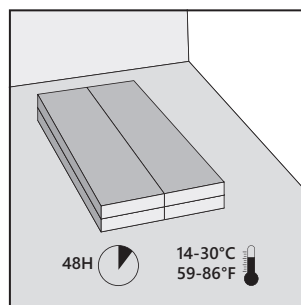
- Divide the room width by the board width

$$\frac{\text{Room width}}{\text{Board width}}$$
- Distribute the remaining space evenly between the start and end rows. Ensure that each piece is at least 5 cm wide.



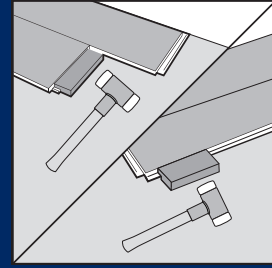
PREPARING THE PANELS

- Acclimatize the panels in the middle of the room for 48 hours in the box
- Make sure to follow the instructions on the box before beginning the installation
- Shuffle panels from different boxes to ensure an even distribution of color and pattern
- Inspect the panels for damages
- Use an underlay if there is no pad attached

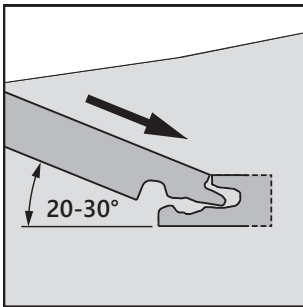


Installation Locking

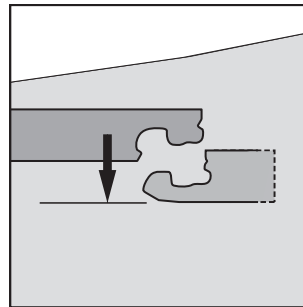
When a panel cannot be lifted, use the tapping method to lock the long sides of the panels.



INSTALLATION METHOD

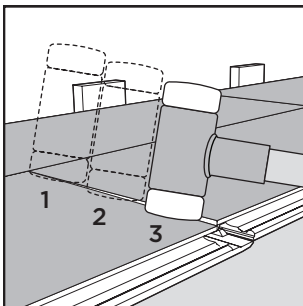


Start on the long side. Position the panel at an angle of 20-30° to the panel that is already installed. Move the panel gently up and down and exert forward pressure.

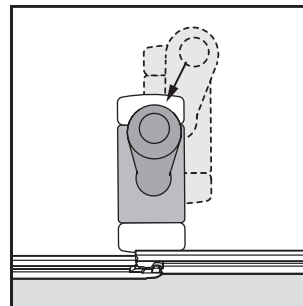


After angling in the long side, drop down the short side of the panel into the short side of the panel that is already installed.

COMPLETELY ENGAGE

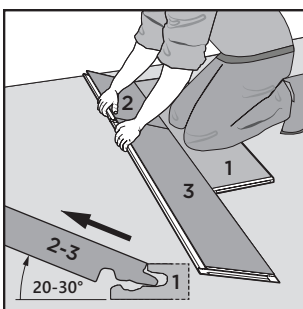


Fully connect the short sides of the panels by hammering from the T-joint towards the edge of the panel. Use a tapping block as additional support if necessary.

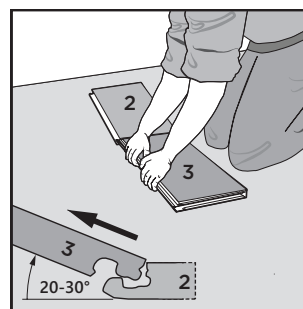


Hammer in the direction of and partly on the underlying panel. Be careful not to damage the profile or the edges of the panel.

DE-INSTALLING THE PANELS

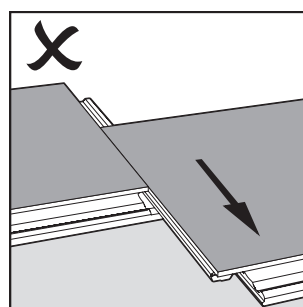
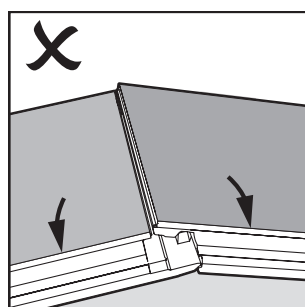
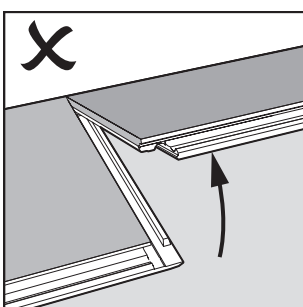


Start by angling out the complete row on the long side of the panel by lifting up to about 20-30°.



Angle up the end of the panel to angle out the short side.

DE-INSTALLING MISTAKES



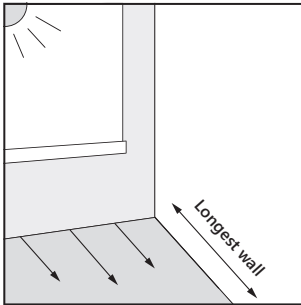
Do not lift up the side of the panel, angle down the edges of the panel, or shift the panels horizontally to disconnect the short sides. Doing so might damage the profile.

Installation Pattern

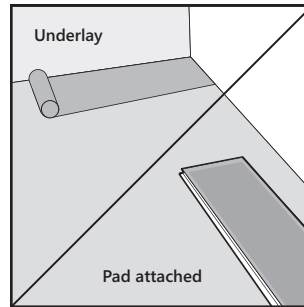
WATCH THE
INSTALLATION
VIDEO



DIRECTION OF THE ROWS

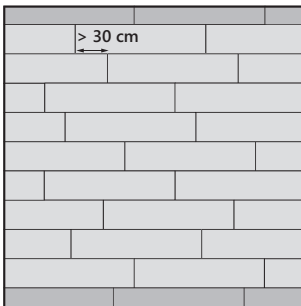


Plan the floor along the longest wall or light direction for the most pleasing visual appeal.

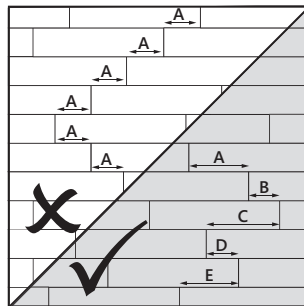


If there is no pad attached to the panels, roll out the underlay in the same direction of the floor.

STAGGERING

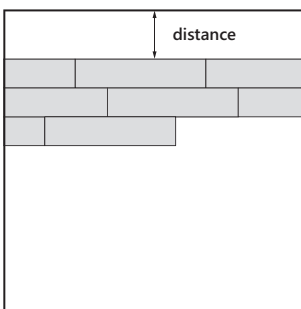


Make sure the panels always stagger for at least 30 cm.

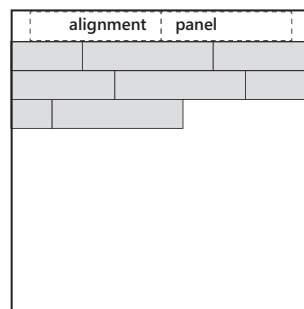


Stagger the panels randomly to avoid a staircase pattern and ensure a strong click connection.

START POSITION

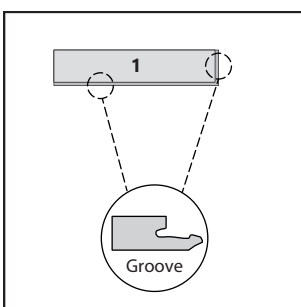


Option 1
Start by laying the first row at a little distance from the wall.

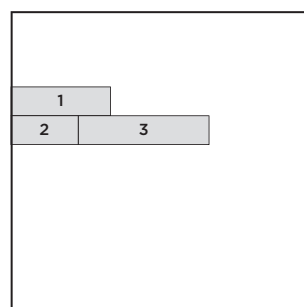


Option 2
Use a few floor panels as a tool to align the first row.

FIRST PANELS



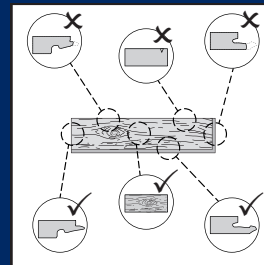
Start by positioning the first panel with the groove sides pointing away from the start walls.



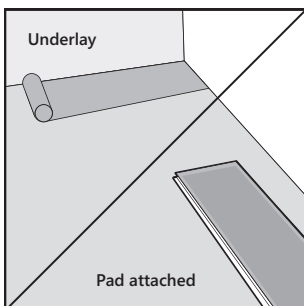
The first panel will serve as a base to install panels two and three.

Installation First rows

Check all panels before and during installation for damage or visible defects.

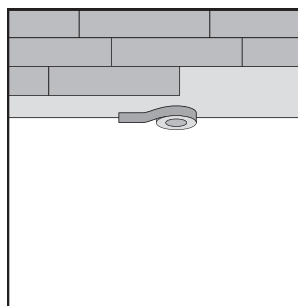


UNDERLAY



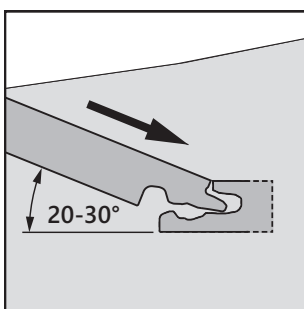
Check to see if there is a pad attached to the back of the panels.

If a pad is attached, an underlay is not needed.

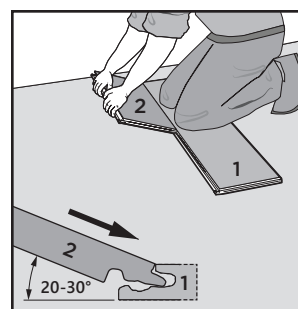


Lay the underlay parallel to the floor direction during installation. Start each new row of underlay upon reaching that point in the floor installation.

ANGLE IN THE SECOND PANEL

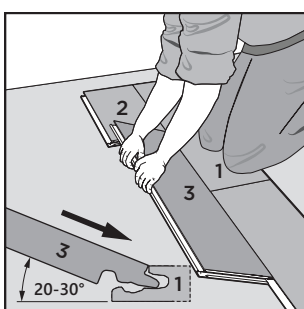


Place the tongue of the long side of panel 2 into the groove of the long side of panel 1 at 20-30° and angle down.

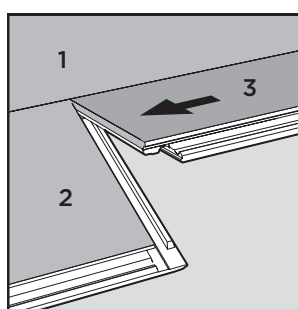


Sit with your knees on the panels to secure them during installation and keep them in place.

ANGLE IN THE THIRD PANEL

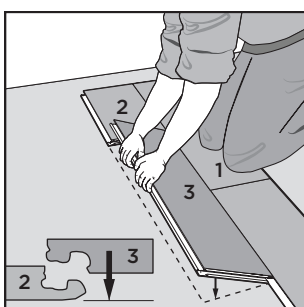


Angle in the long side of panel 3 into the long side of panel 1 at a 20-30° angle.

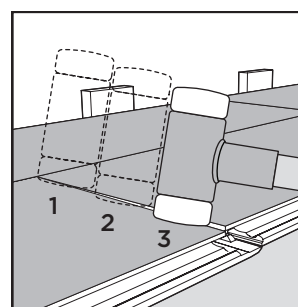


Shift panel 3 to position it so the corner of the head end of the panel is against the head end of panel 2.

DROP DOWN THE THIRD PANEL



Engage the short side of panel 3 by pushing down. Ensure both panels are connected, push down along the joints of the panel.



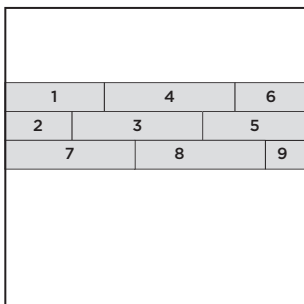
Use a hammer to fully connect the short sides of the panels. Hammer from the T-joint towards the outside of the panel.

Installation Continue

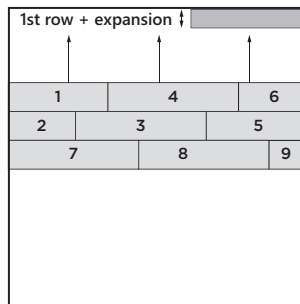
WATCH THE
INSTALLATION
VIDEO



INSTALL ROW 1-3

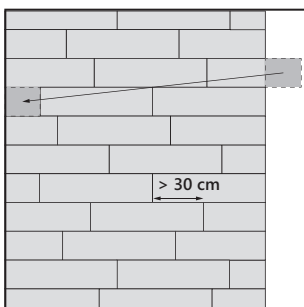


Continue installing the rest of the panels for the first three rows in the order of the drawing.

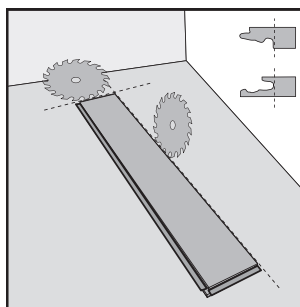


Move the rows closer to the wall, leaving a distance equal to the width of the start row plus the expansion gaps. Ensure the start row is at least 5 cm wide.

EDGE PIECES

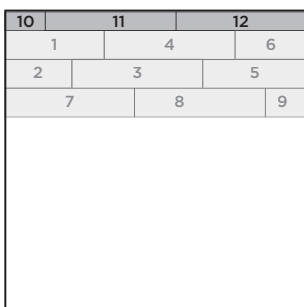


Tip: use the leftover of the sawed off panel to start the new row. Stagger the panels randomly and use an overlap of at least 30 cm to ensure a strong connection.

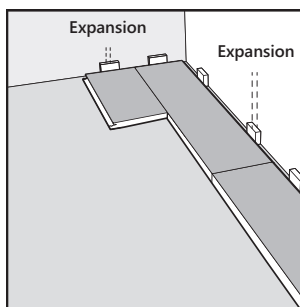


Remove the click profile on every side directly next to the wall to ensure the required expansion gap.

MOVE THE ROWS TO THE STARTER WALL

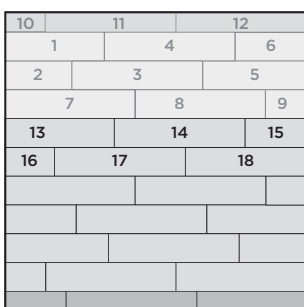


Install the start row by angling in the panels. Use the pull bar and hammer if necessary.

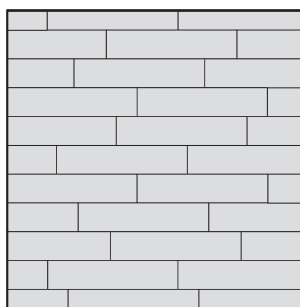


Place the spacers to ensure the correct expansion gap. For the correct expansion gaps, check the supplier installation guidelines.

CONTINUE THE INSTALLATION



Continue installing the rest of the panels row by row in the order of the drawing.



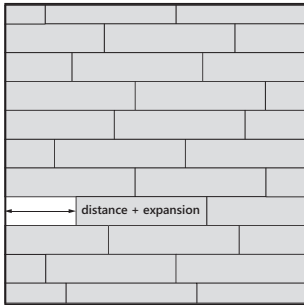
Complete the final row of the room by angling and dropping down the end row as calculated in the beginning.

Installation Correct size

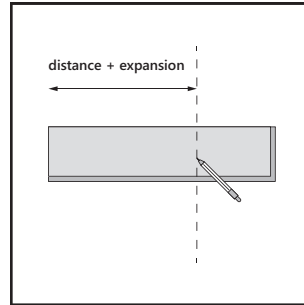
WATCH THE
INSTALLATION
VIDEO



EDGE PANELS

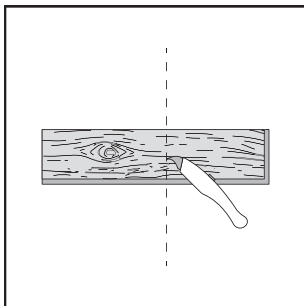


- Measure the size for the edge piece
- Keep the expansion gaps into account and add them to the distance from the wall



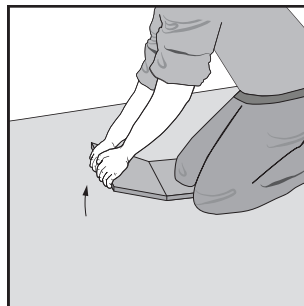
- Pencil the cutting line on your panel
- Use a ruler or another floor panel to ensure a straight line

VINYL

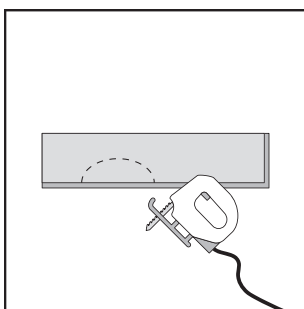


For straight cuts

- Cut the panel with a sharp concave cutter knife
- Always cut with the design facing upwards

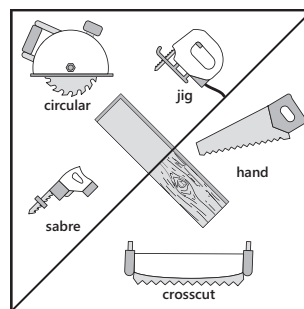


- Lay the panel with the design facing downwards
- Snap the plank in two
- Use your knees to hold the panel



For other shapes

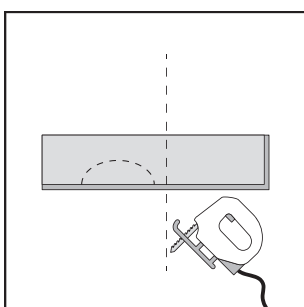
Use a saw to cut the panel to size



Design facing down: jigsaw, saber saw or circular handsaw

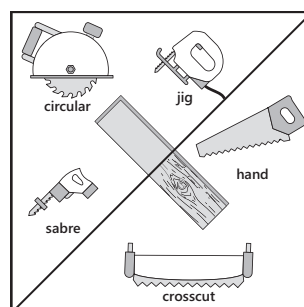
Design facing up: handsaw or crosscut saw

LAMINATE



For all cuts

Use a saw to cut the panel to size

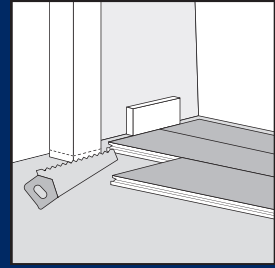


Design facing down: jigsaw, saber saw or circular handsaw

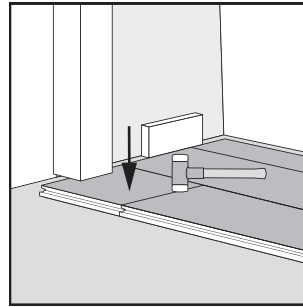
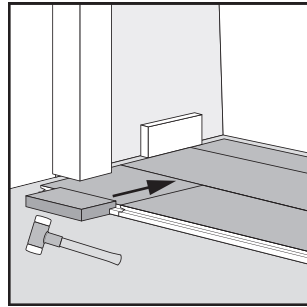
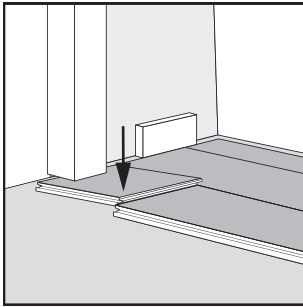
Design facing up: handsaw or crosscut saw

Installation Finishing

Undercut the doorframes or moldings to enable the expansion of the panels.

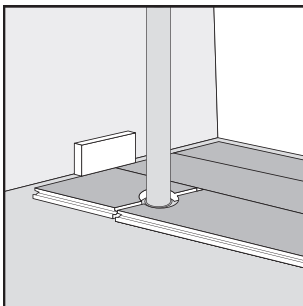


UNDER DOOR-FRAMES

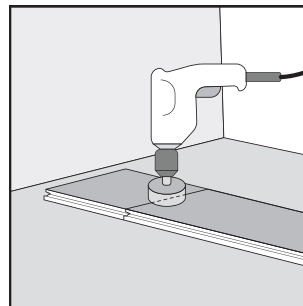


Drop down the short side and slide the panel towards the installed panels. Use a tapping block to hammer the long side in a few taps. Hammer down to fully connect the short side.

PIPES

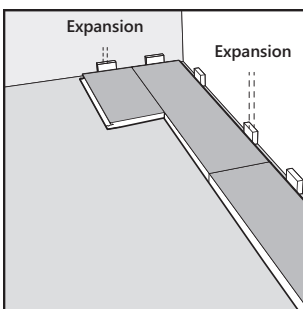


In rows where the flooring meets a pipe, ensure the pipe aligns exactly with the short sides of two panels.

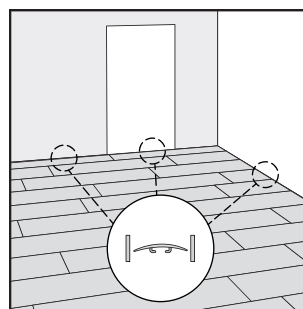


Click the panels together on the short side. Drill a hole centered on the joint between the two panels of the same diameter as the pipe plus 20 mm (3/4").

ROOM FOR EXPANSION

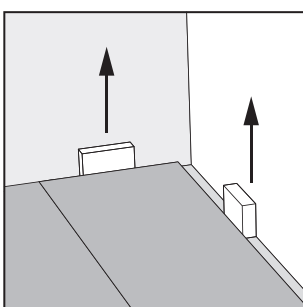


The floor must be able to expand and contract with changes in the indoor climate. For expansion joint guidelines, check the supplier's instructions.

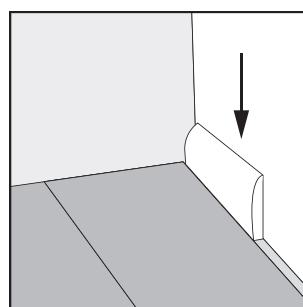


Provide expansion joints between different rooms or in large rooms. Check the supplier's guidelines for details.

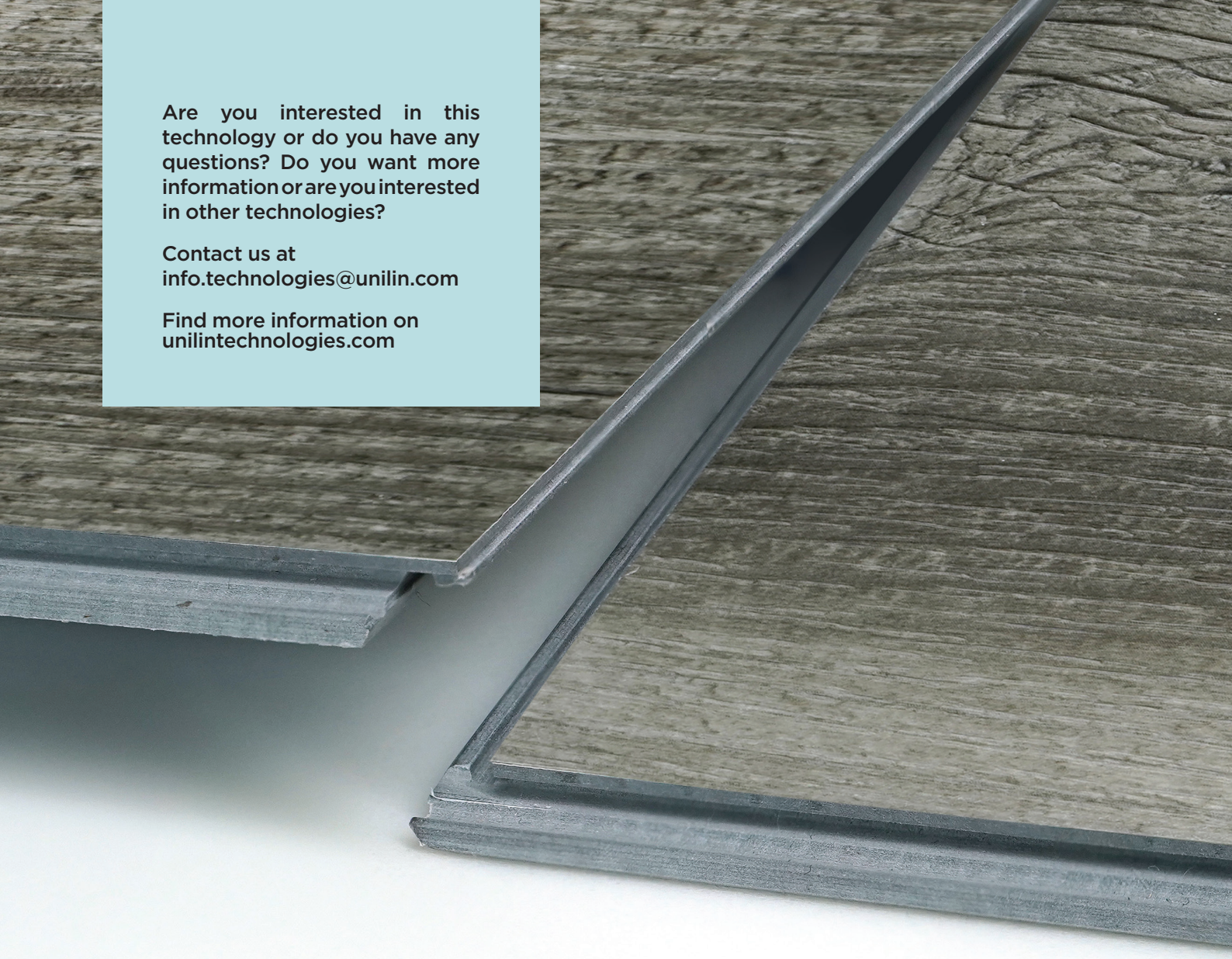
FINISHING



After the floor and expansion profiles are completely installed, remove all spacers from the room(s).



Install skirting on the walls over the expansion gaps to complete the room.



Are you interested in this technology or do you have any questions? Do you want more information or are you interested in other technologies?

Contact us at
info.technologies@unilin.com

Find more information on
unilintechnologies.com

Unilin Technologies
Ooigemstraat 3
8710 Wielsbeke
Belgium

T +32 56 67 56 67
E info.technologies@unilin.com

 **UNILIN**

unilintechnologies.com