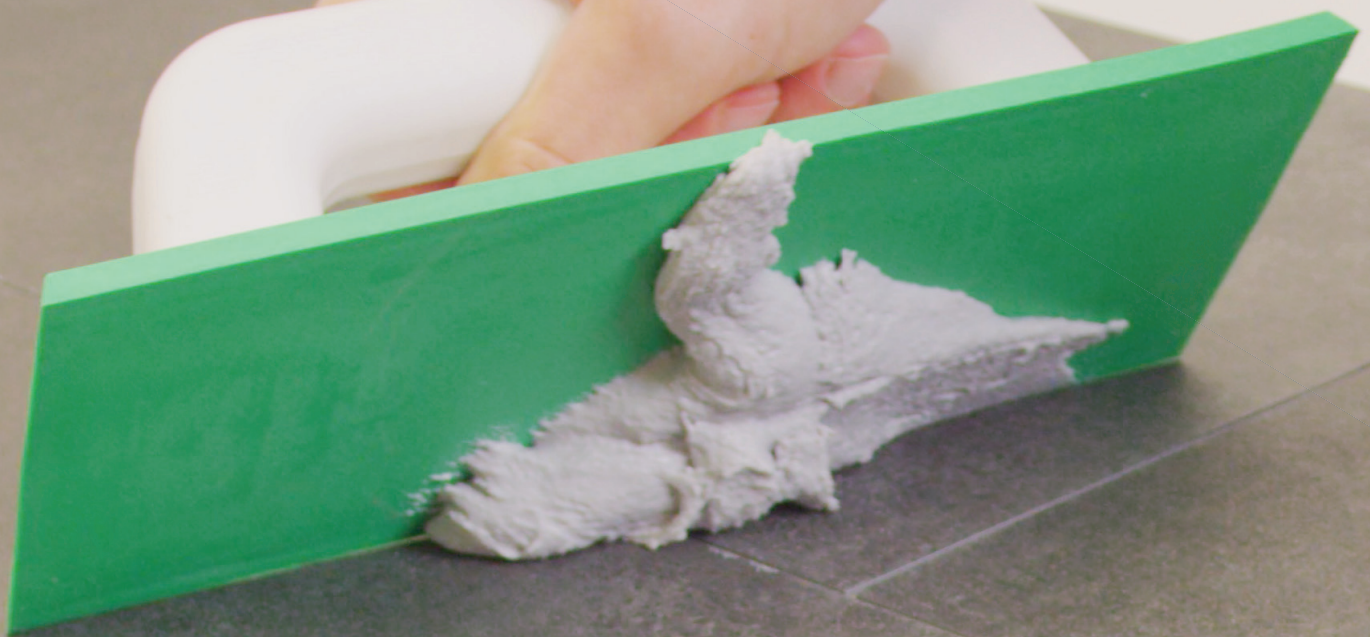




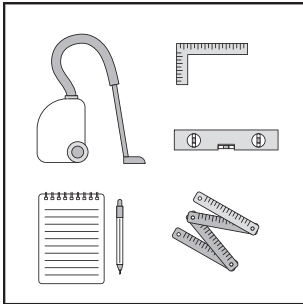
# Installation guidelines angle and grout

ROWS AND CHECKERBOARD INSTALLATION



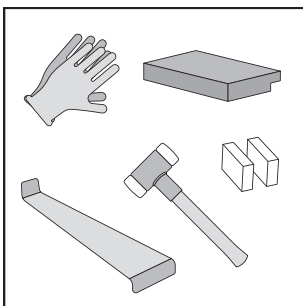
**FLINTILE**   
PATENTED TECHNOLOGY ®

# Preparation Tools



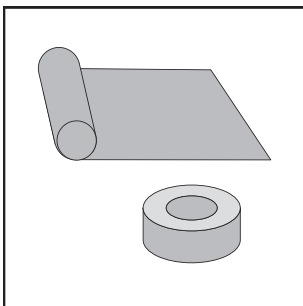
## ROOM PREPARATION

- Pencil and notepad
- Tape measure / Folding rule
- Steel square / Bevel tool
- Level
- Vacuum



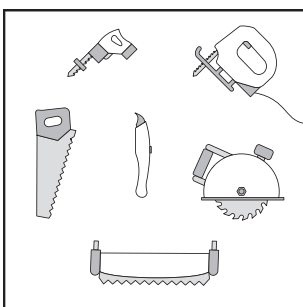
## DURING INSTALLATION

- Hard mallet
- Tapping block for locking systems
- Pull bar
- Spacers
- Gloves



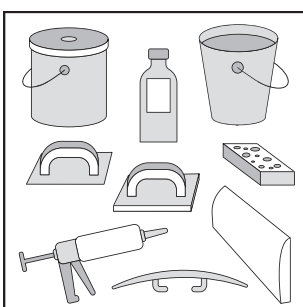
## If the panels do not have a pad pre-attached:

- Underlay
- Tape (to fix your underlay)



## CUTTING THE PANELS

- Handsaw / jigsaw / crosscut saw / plunger saw / table saw
- Concave cutter knife



## FINISHING THE ROOM

- Grout
- Bucket
- Sponge and felt pad
- Grout float
- Grout cleaner
- Skirting and silicon kit
- Expansion / adapter / end profiles

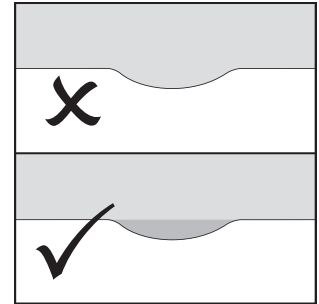
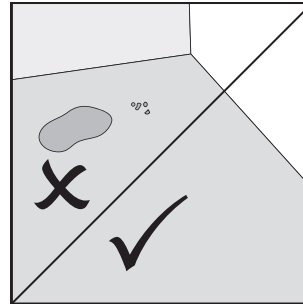
# Preparation The room

WATCH THE  
INSTALLATION  
VIDEO



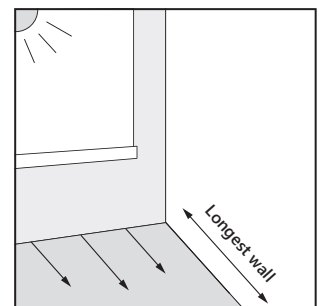
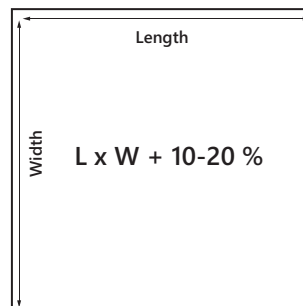
## CLEAN SLATE

- Remove skirtings
- Remove all soft flooring (e.g. carpet)
- Make sure the sub-floor is dry and free of any grease, chemical residue or glue
- Ensure a level and dry surface, smooth out bumps or irregularities
- Vacuum thoroughly to remove all debris and dust



## CALCULATE SURFACE AREA

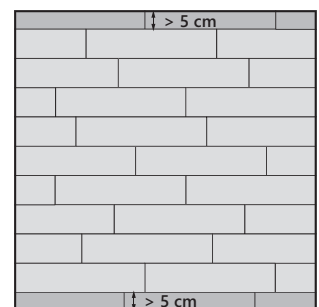
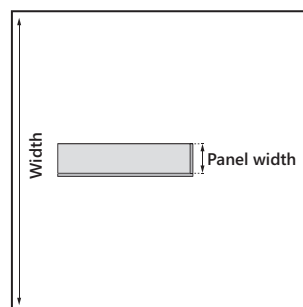
- Width x Length + 10-20% cutting waste
- Make accurate measurements to ensure a smooth installation
- Take notes to avoid mistakes
- Plan the flooring along the longest wall or in the direction of the light for the most pleasing visual appeal.



## CALCULATE THE AMOUNT OF ROWS

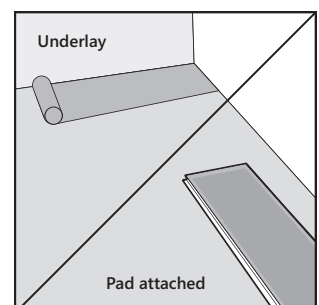
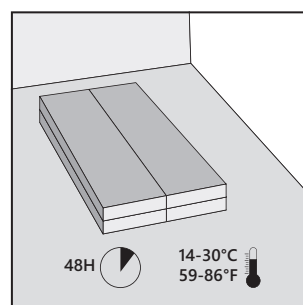
- Divide the room width by the board width  

$$\frac{\text{Room width}}{\text{Board width}}$$
- Distribute the remaining space evenly between the start and end rows. Ensure that each piece is at least 5 cm wide.



## PREPARING THE PANELS

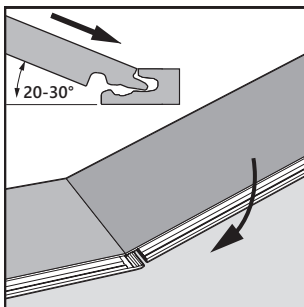
- Acclimatize the panels in the middle of the room for 48 hours in the box
- Make sure to follow the instructions on the box before beginning the installation
- Shuffle panels from different boxes to ensure an even distribution of color and pattern
- Inspect the panels for damages
- Use an underlay if there is no pad attached



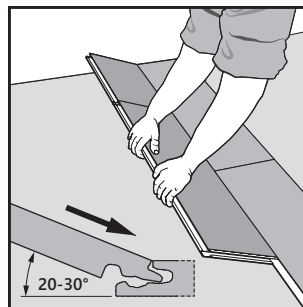
# Installation Locking

Angle-angle installation is recommended for most of the room, with edge panels finished by tapping. The tongue-and-groove method is the most commonly used and easiest to install.

## INSTALLATION METHOD A: ANGLE

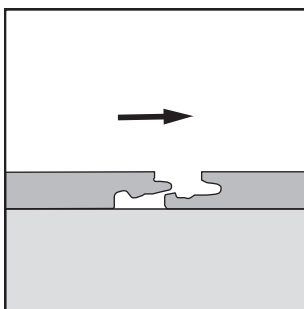


Start on the short side. Position the panel at an angle of 20-30° to the panel that is already installed, and angle down.

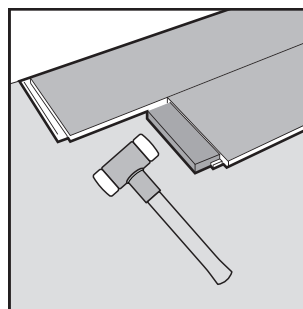


Place your hands close to the joint and move the panel up to an angle of 20-30°. Pull the panel towards the installed panels and angle down.

## INSTALLATION METHOD B: TAP

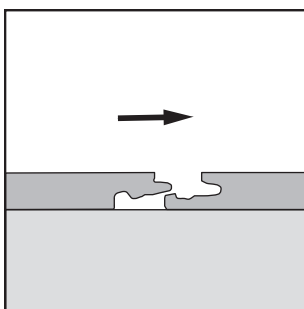


For hard to reach panels, use the tapping method. If possible, angle in one of the sides. Angle down and position the click systems as close as possible.

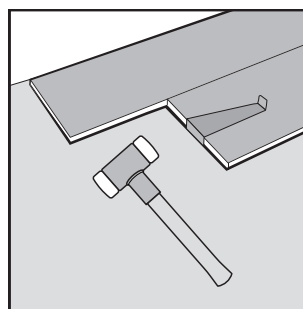


Use a tapping block and position it against the locking system. Gently tap the block with a hammer to gradually connect the panels in a few taps.

## FOR HARD TO REACH AREAS

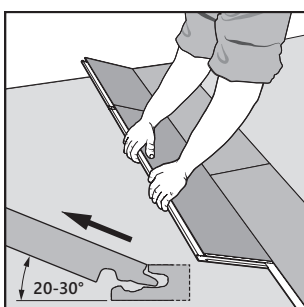


For areas where it is not possible to use angling or a tapping block, such as the end panels against the wall, use the pull bar. Start when the panels are flat on the floor.

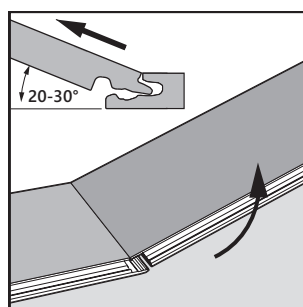


Use a pull bar and position it against the locking system. Gently tap the pull bar with a hammer to gradually connect the panels in a few taps.

## DE-INSTALLING THE PANELS



Start by angling out the complete row on the long side of the panel by lifting up to about 20-30°.



Angle up the end of the panel to angle out the short side.

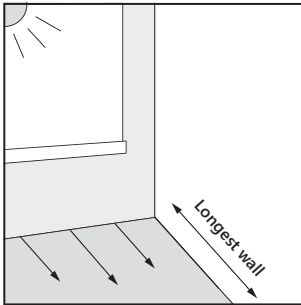


# Installation Rows start

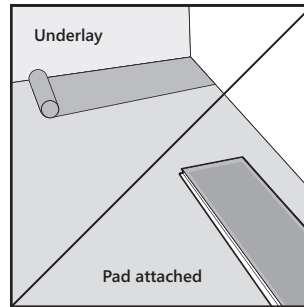
WATCH THE  
INSTALLATION  
VIDEO



## DIRECTION OF THE ROWS

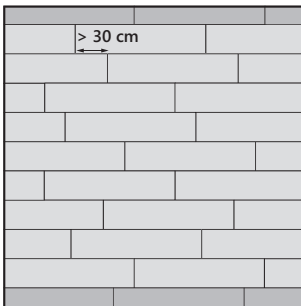


Plan the floor along the longest wall or light direction for the most pleasing visual appeal.

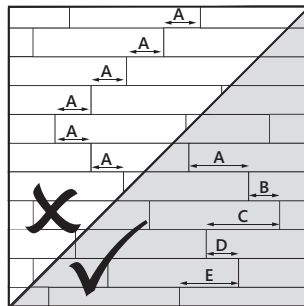


If there is no pad attached to the panels, roll out the underlay in the same direction of the floor.

## STAGGERING

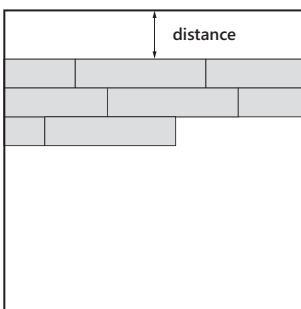


Make sure the panels always stagger for at least 30 cm.

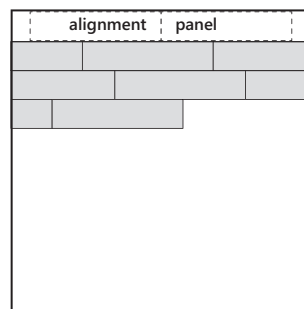


Stagger the panels randomly to avoid a staircase pattern and ensure a strong click connection.

## START POSITION

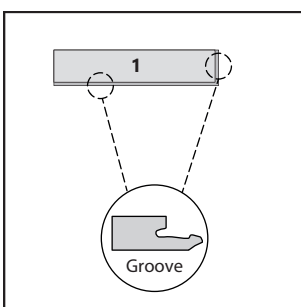


**Option 1**  
Start by laying the first row at a little distance from the wall.

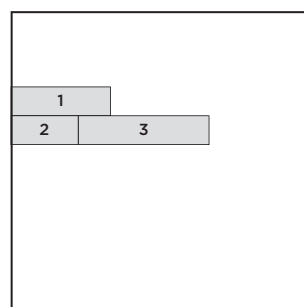


**Option 2**  
Use a few floor panels as a tool to align the first row.

## FIRST PANELS



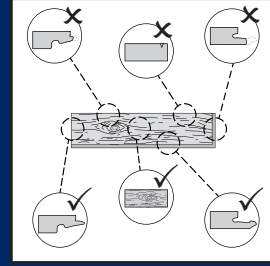
Start by positioning the first panel with the groove sides pointing away from the start walls.



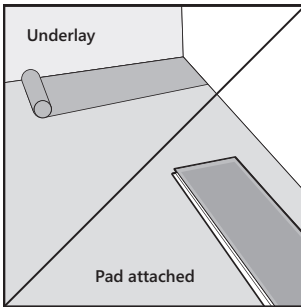
The first panel will serve as a base to install panels two and three.

# Installation First rows

Check all panels before and during installation for damage or visible defects.

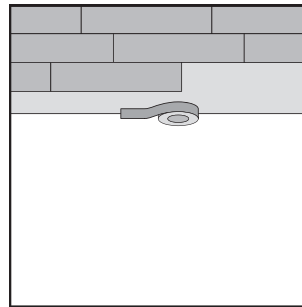


## UNDERLAY



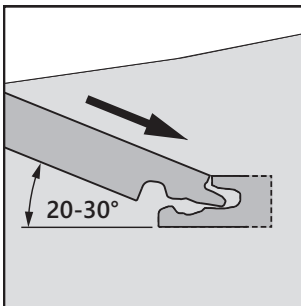
Check to see if there is a pad attached to the back of the panels.

If a pad is attached, an underlay is not needed.

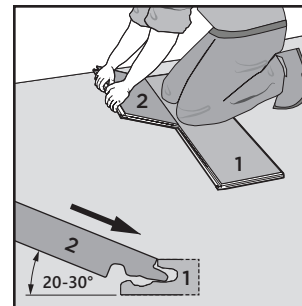


Lay the underlay parallel to the floor direction during installation. Start each new row of underlay upon reaching that point in the floor installation.

## ANGLE IN THE SECOND PANEL

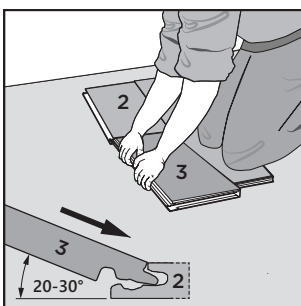


Place the tongue of the long side of panel 2 into the groove of the long side of panel 1 at 20-30° and angle down.

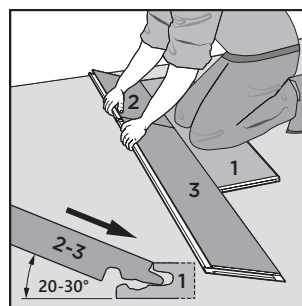


Sit with your knees on the panels to secure them during installation and keep them in place.

## ANGLE IN THE THIRD PANEL

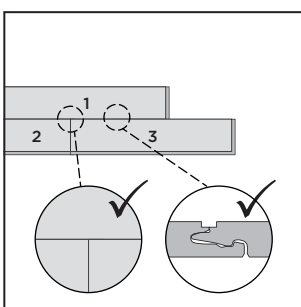


Angle in the short side of panel 3 into the short side of panel 2 at 20-30° and angle down.

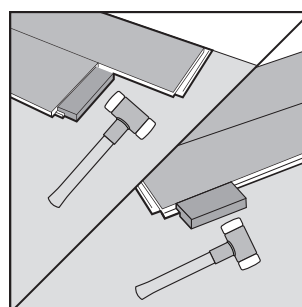


Place your hands close to the joint and slide panel 3 towards panel 1. Angle the row of panel 2 and 3 up to an angle of 20-30°. Angle down to completely connect the panels.

## MIND THE GAP



After installing each panel, check if all joints are fully connected without gaps or height difference. Grooves are designed for grouting and should not be considered gaps.



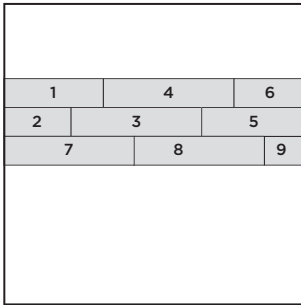
To ensure all gaps are closed, gently tap the tapping block with a hammer to completely close the joints.

# Installation Next rows

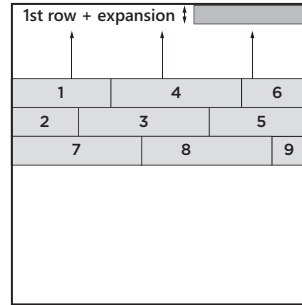
WATCH THE  
INSTALLATION  
VIDEO



## INSTALL ROW 1-3

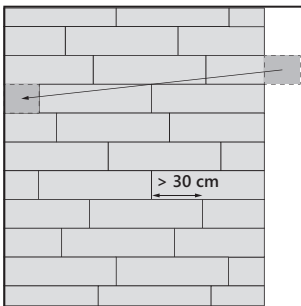


Continue installing the rest of the panels for the first three rows in the order of the drawing.

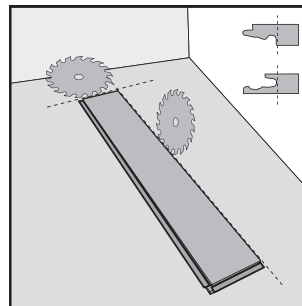


Move the rows closer to the wall, leaving a distance equal to the width of the start row plus the expansion gaps. Ensure the start row is at least 5 cm wide.

## EDGE PIECES

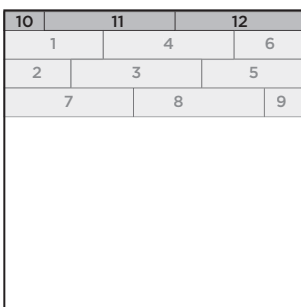


Tip: use the leftover of the sawed off panel to start the new row. Stagger the panels randomly and use an overlap of at least 30 cm to ensure a strong connection.

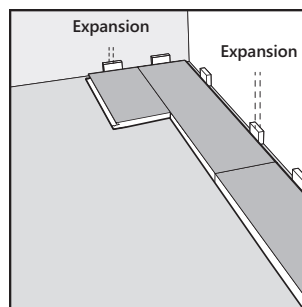


Remove the click profile on every side directly next to the wall to ensure the required expansion gap.

## MOVE THE ROWS TO THE STARTER WALL

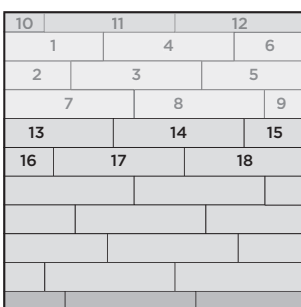


Install the start row by angling in the panels. Use the pull bar and hammer if necessary.

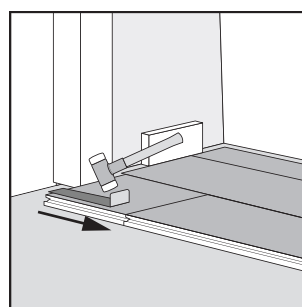


Place the spacers to ensure the correct expansion gap. For the correct expansion gaps, check the supplier installation guidelines.

## CONTINUE THE INSTALLATION



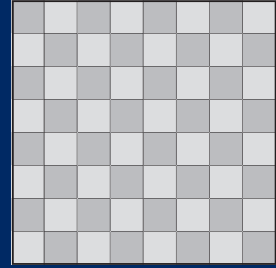
Continue installing the rest of the panels row by row in the order of the drawing.



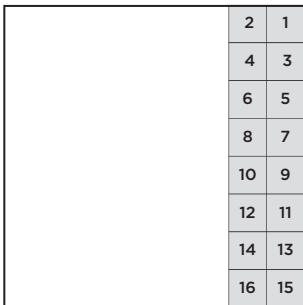
For edge pieces close to the wall, use the pull bar and hammer to completely secure the locking system. Gradually connect the panels in a few taps.

# Installation Checkerboard

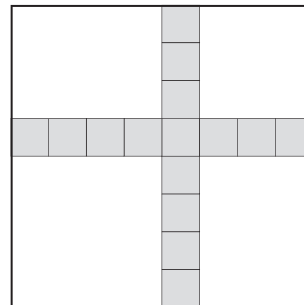
Square tiles with a grouted groove offer a floating alternative to ceramic tiles



## START POSITION

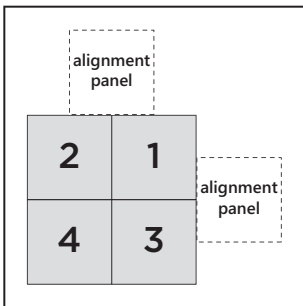


**Option 1**  
Start in the corner of the room and work towards to the other wall row by row.

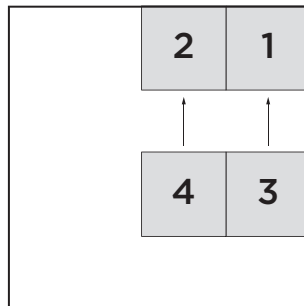


**Option 2**  
Start in the middle of the room and map out the amount of rows lengthwise and widthwise.

## CHECKERBOARD PATTERN

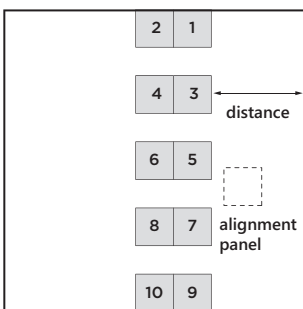


To ensure the panels are always aligned, use an extra panel as an alignment panel in the middle of the joint.

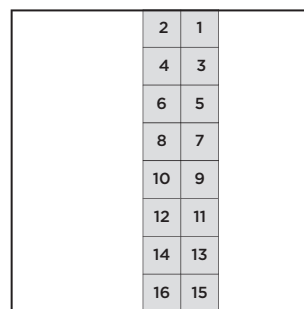


For easier alignment, work in pairs of two panels for the first two rows.

## FIRST ROWS

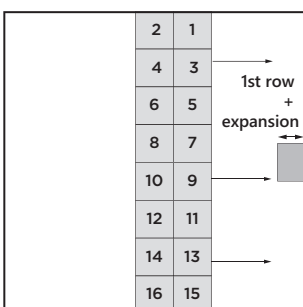


Start by laying your first row a little distance from the wall and use an alignment panel if necessary.

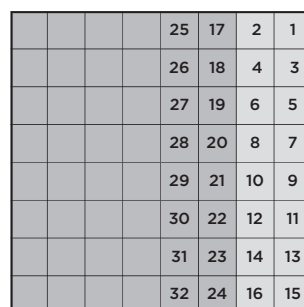


Connect all pairs and complete the rows 1-2.

## CONTINUE THE INSTALLATION



Move the rows closer to the wall, to a distance that is the width of the start row and the expansion gaps. Make sure the start row is at least 5 cm wide.



Continue the rest of the installation panel by panel, row by row.

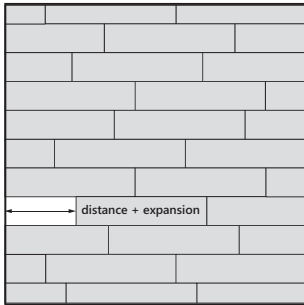


# Installation Correct size

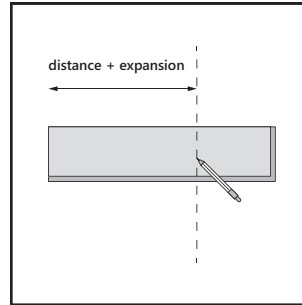
WATCH THE  
INSTALLATION  
VIDEO



## EDGE PANELS

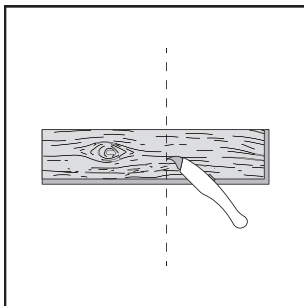


- Measure the size for the edge piece
- Keep the expansion gaps into account and add them to the distance from the wall



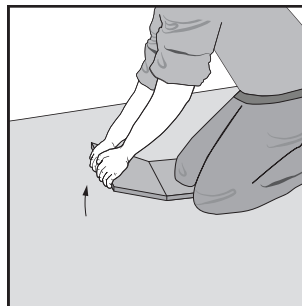
- Pencil the cutting line on your panel
- Use a ruler or another floor panel to ensure a straight line

## VINYL

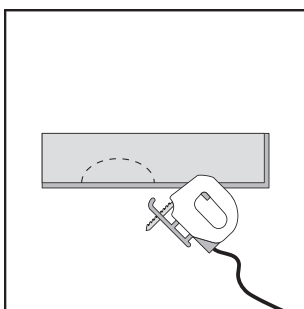


### For straight cuts

- Cut the panel with a sharp concave cutter knife
- Always cut with the design facing upwards

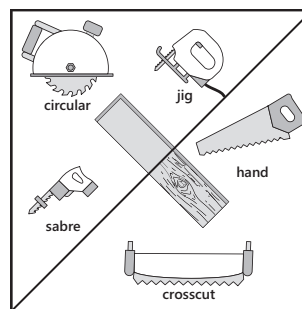


- Lay the panel with the design facing downwards
- Snap the plank in two
- Use your knees to hold the panel



### For other shapes

Use a saw to cut the panel to size

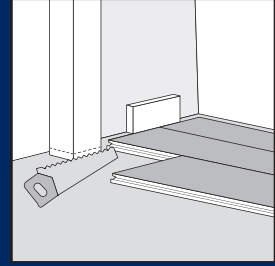


**Design facing down:** jigsaw, saber saw or circular handsaw

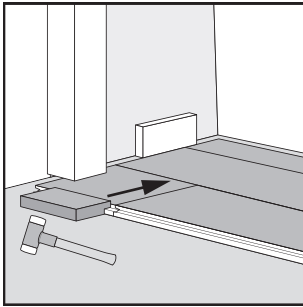
**Design facing up:** handsaw or crosscut saw

# Installation Finishing

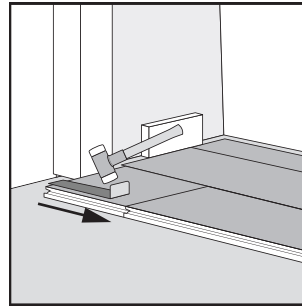
Undercut the door-frames or moldings to enable the expansion of the panels.



## UNDER DOOR-FRAMES

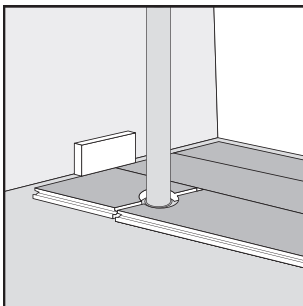


Install the panel on the long side with a tapping block or pull bar. Gently tap with a hammer to gradually connect the panels in a few taps.

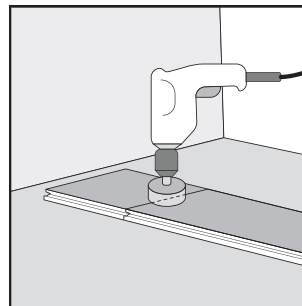


Slide the panel towards the already installed panels and gradually lock the short side of the panel with a tapping block or pull bar and hammer in a few taps.

## PIPES

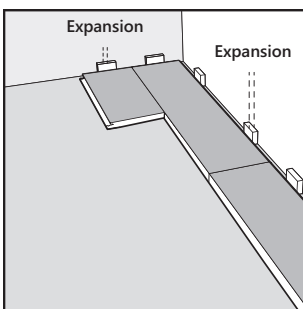


In rows where the flooring meets a pipe, ensure the pipe aligns exactly with the short sides of two panels.

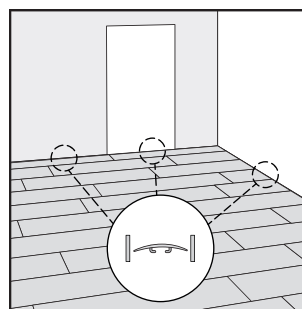


Click the panels together on the short side. Drill a hole centered on the joint between the two panels of the same diameter as the pipe plus 20 mm (3/4").

## ROOM FOR EXPANSION

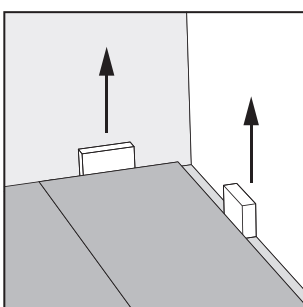


The floor must be able to expand and contract with changes in the indoor climate. For expansion joint guidelines, check the supplier's instructions.

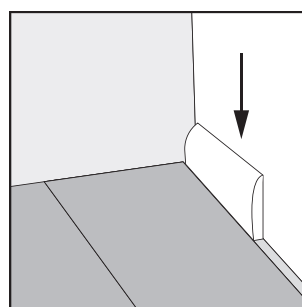


Provide expansion joints between different rooms or in large rooms. Check the supplier's guidelines for details.

## FINISHING



After the floor and expansion profiles are completely installed, remove all spacers from the room(s).



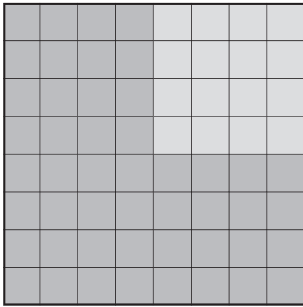
Install skirting on the walls over the expansion gaps to complete the room.

# Installation Grouting

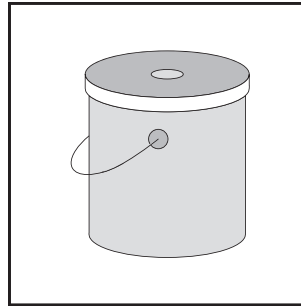
WATCH THE  
INSTALLATION  
VIDEO



## PREPARATION

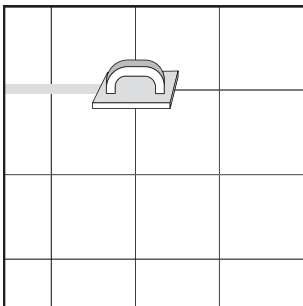


Work in sections to ensure the grouting solution does not dry and simplify the cleaning process.

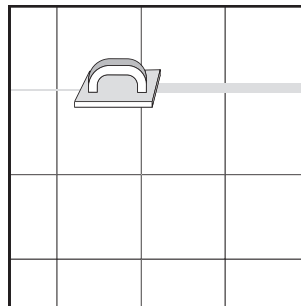


Prepare for the grout according to the instructions of the supplier. Use all products and mix well, preferably by using an electric mixer on a low setting.

## GROUT

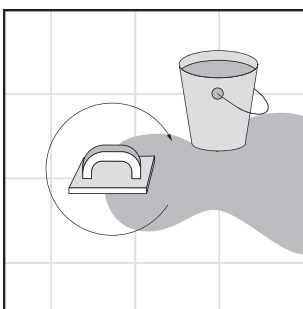


Use the grout float to apply the grout to the bevels of the floor.

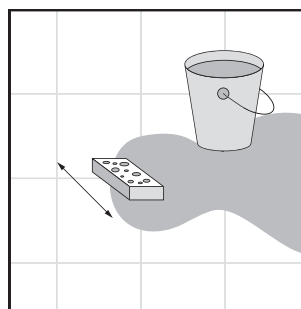


Scrape with the grout float to remove the excess.

## CLEAN

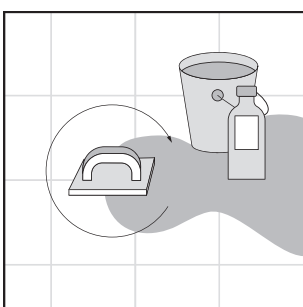


While the product is still wet, clean with non-scratch felt pad and plenty of water, using circular motions. Change the water often for larger areas.

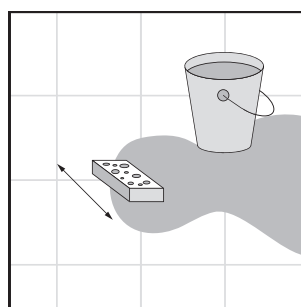


Clean the surface with a wet sponge and clean water to remove all remaining haze in diagonal motions.

## AFTER 24 HOURS




Apply the cleaner to the floor with the felt pad in circular motions to remove any spots or grease stains. Let it sit for 30 minutes, then rub with a felt pad to remove traces of resin.



Rinse the surface with clean water and a wet sponge in diagonal motions. Optionally, dry with a clean, dry cloth.





Are you interested in this technology or do you have any questions? Do you want more information or are you interested in other technologies?

Contact us at  
[info.technologies@unilin.com](mailto:info.technologies@unilin.com)

Find more information on  
[unilintechnologies.com](http://unilintechnologies.com)

**Unilin Technologies**  
Ooigemstraat 3  
8710 Wielsbeke  
Belgium

T +32 56 67 56 67  
E [info.technologies@unilin.com](mailto:info.technologies@unilin.com)



[unilintechnologies.com](http://unilintechnologies.com)